



Get A Quick Quote! Get A Quick Run!

- Local & off-shore production lines ensuring high capacity of delivering large volumes
- Fully comply with Australian Signage Standards
- Experienced staffs running QC on all individual items with NO skip
- Professional Installers solving all your headaches on-site

About Us:

BIG BANNER AUSTRALIA focuses on providing the best products and services to sign professionals worldwide!

BIG BANNER AUSTRALIA in making all kinds of 3D signage products including Stainless Steel Fabricated Letters, Acrylic Letters, LED Channel Letters, Neon Style Signs, Directional & Identification Display System, Pylon Sign, Blade Sign / Light Box. Over the years, we became one of the Leading Sign Distributors in Australia.

Big Banner grouped with Yi Ge Advertising (CHINA) from 2015 which increases our capacity to provide effective and efficient solutions for our valuable customers not only in the Asian-Pacific region, but also Global Wide.

Our target is to provide competitive and professional signage solutions for your business at the quickest turn around with achievement of 100% satisfaction.

Please prepare the below information when you need a quote:



Draft of design with size marked, if not available, provide contents (letters, logo, font, size of space where the sign will be installed).



Interior or Exterior?



Illuminate or Non-illuminate ?



Deadline if there is one.



Installation request?

- (1) Where
- (2) Current condition for installation point
- (3) Distance from ground

With the above information, a quote/ proposal will be provided within 12 working hours.



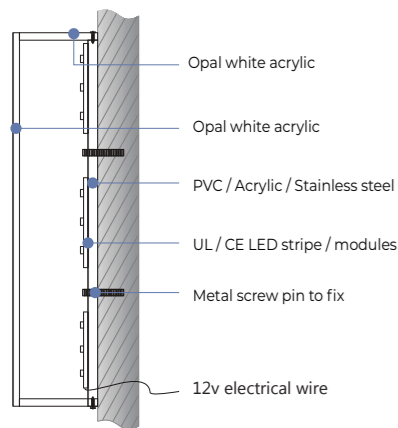
1300 550 168
sales@bigbanner.com.au
SUNSHINE WEST, 3020



+86 1831 888 48 28
yigesignage@hotmail.com
GUANGZHOU, CHINA

Acrylic Fabricated 3D LED Front/Side Illuminated Letters

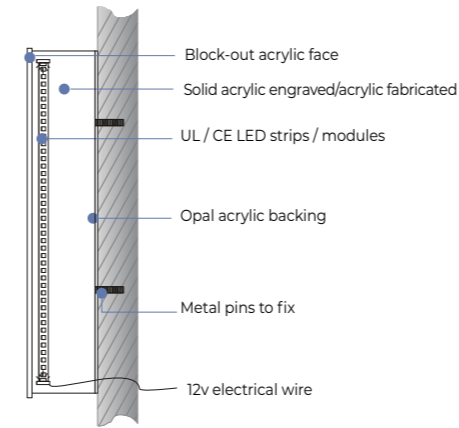
3D-027



Face: 3-10mm solid Acrylic
 Body: 3-5mm solid Acrylic
 Finish: 2PAC painted/ UV printed opal acrylic face with fabricated opal acrylic body
 Back: PVC/Acrylic/Stainless Steel
 Illumination: LED modules 3,000k ~ 10,000k
 (Brightness adjustable dimmer available at extra cost)
 Installation: Installation template included, Methods of screw fixing, adhesive, etc
 Power Supply: 12v-240v C-Tick IP65 Meanwell transformer
 Colour / Size / Shape: Customised

Acrylic Engraved/Fabricated 3D LED Back Illuminated Letters

3D-026

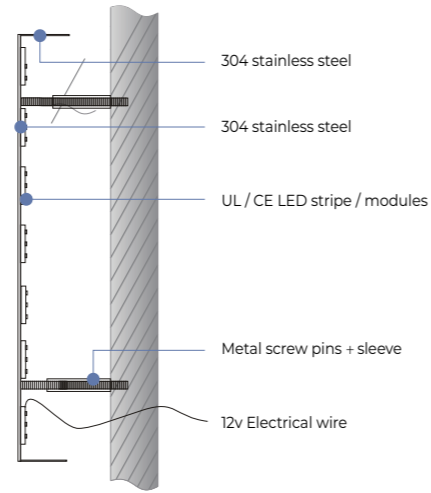


3mm / 5mm solid acrylic with block out colour (2PAC painted / UV) (option: metal surface with various finishing)
 Body: solid acrylic engraved/acrylic fabricated
 Finish: fabricated or solid engraved acrylic returns with glued acrylic face
 Back: enclosed with 3mm acrylic or 8mm / 10mm / 15mm PVC panel
 Illumination: LED modules 3,000k ~ 10,000k
 (Brightness adjustable dimmer available at extra cost)
 Installation: Installation template included, Methods of screw fixing, adhesive, etc
 Power Supply: 12v-240v C-Tick IP65 Meanwell transformer
 Colour / Size / Shape: Customised

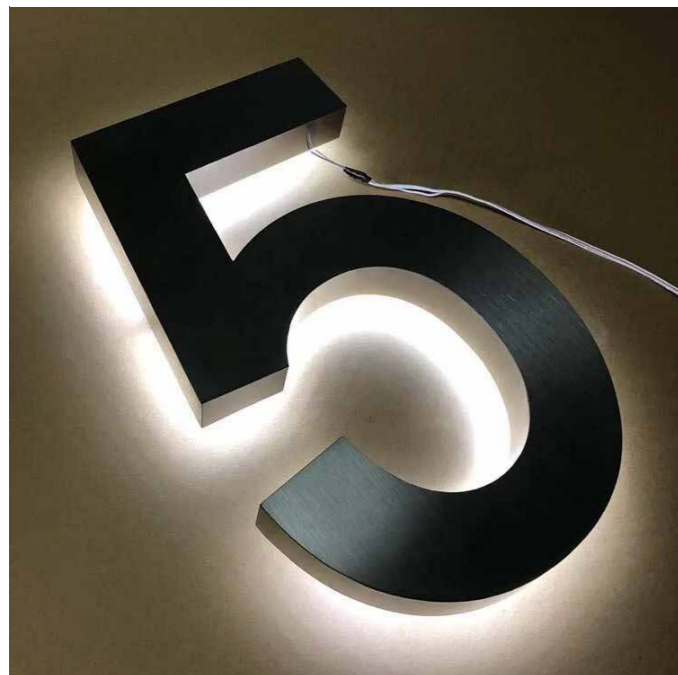


Stainless Steel Fabricated 3D LED Back Illuminated Letters (Open Back)

3D-1002

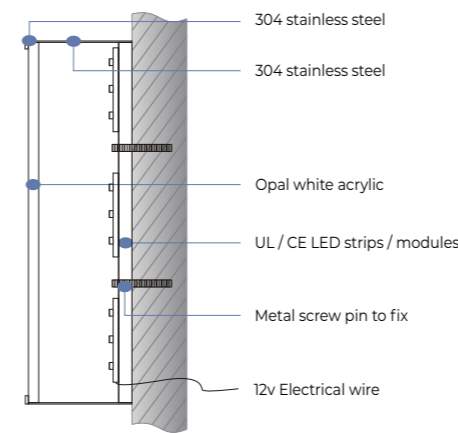
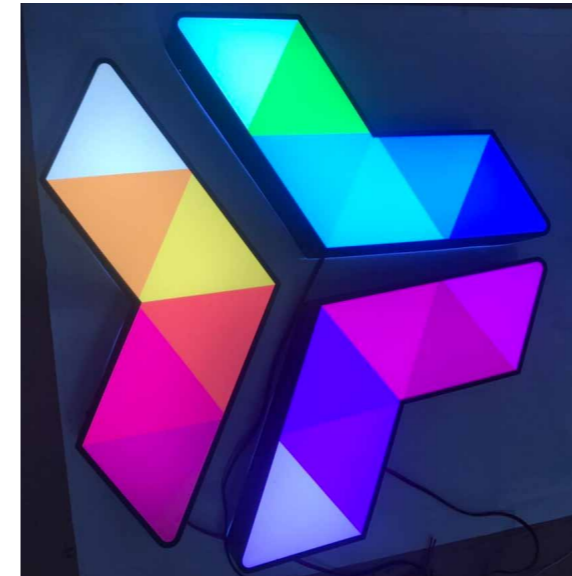


Face & Body: Fabricated 1mm 304 grade stainless steel (Option: 1mm / 2mm / 3mm 316 Marine Grade)
 Finish: Plain silver, polished / brushed, electroplated, powder coated, aged / rusty, UV printed, etc.
 Back: Open back (Option of closed back with 3 - 15mm Acrylic)
 Illumination: LED modules 3,000k~10,000k (Brightness adjustable dimmer available at extra cost)
 Installation: Installation template included, Stand off bolts / screws
 Power Supply: 12v-240v C-Tick IP65 Meanwell transformer
 Colour / Size / Shape: Customised

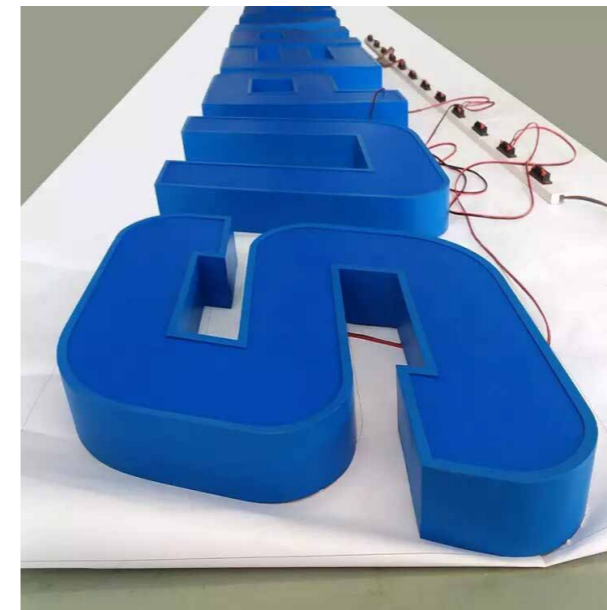


Stainless Steel Fabricated 3D LED Front Illuminated Letters

3D-005

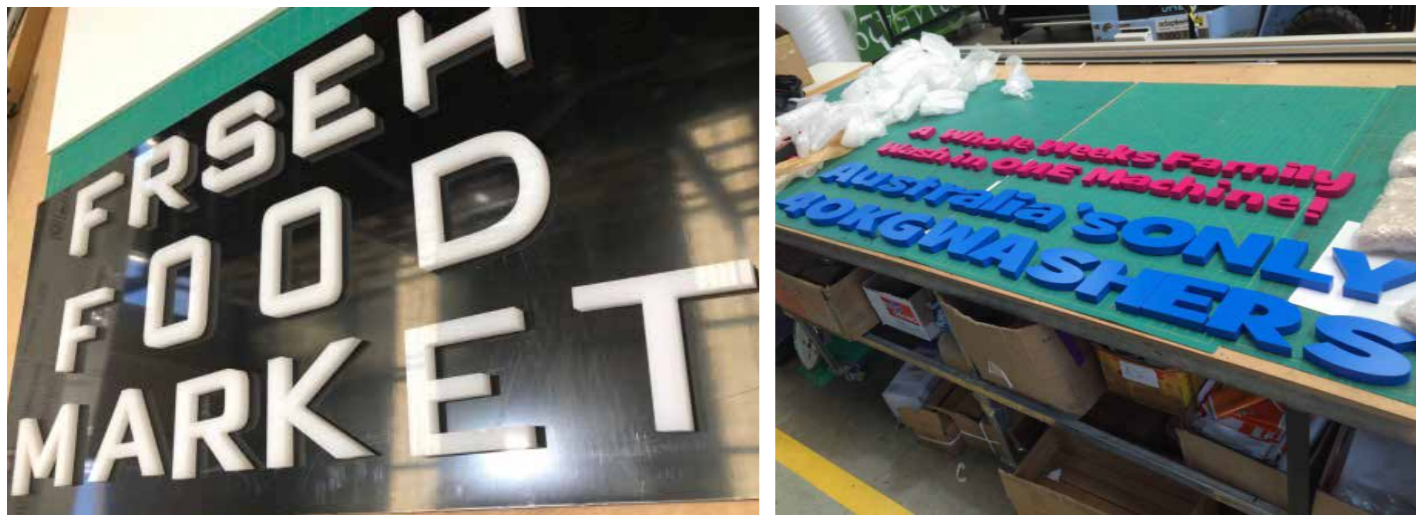
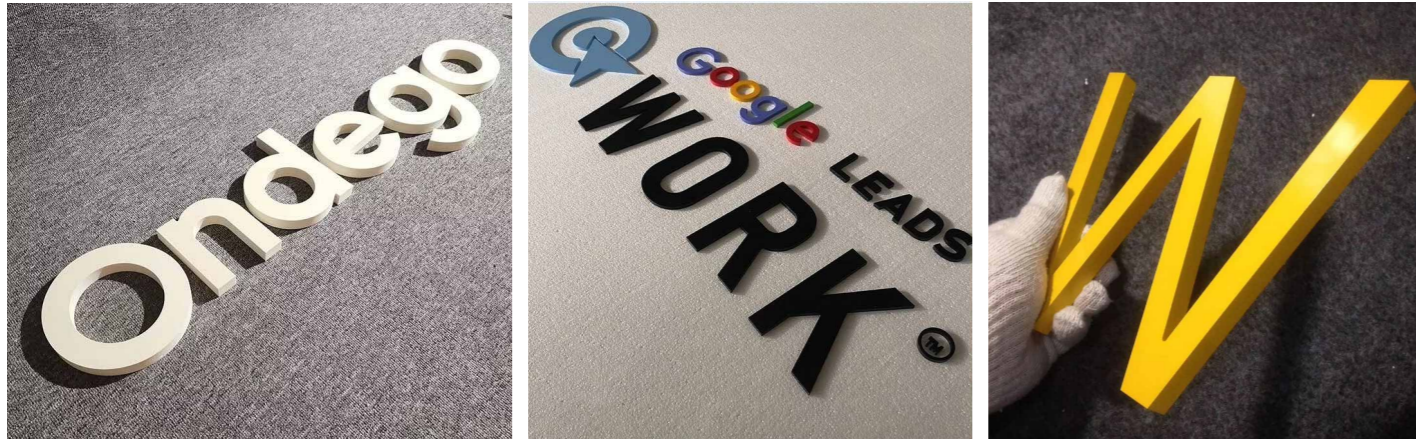


Face: 3mm / 4.5mm opal acrylic / UV printed / colour vinyl wrap
 Body: 1mm 304 grade stainless steel fabricated (Option: 316 Marine Grade / Aluminium)
 Finish(body): Plain silver, polished / brushed, electroplated, powder coated, etc
 Back: PVC or stainless steel
 Illumination: LED modules 3,000K ~10,000K (Brightness adjustable dimmer available at extra cost)
 Installation: Installation template included, Flush mounting / Stand off
 Power Supply: 12v-240v C-Tick IP65 Meanwell transformer
 Colour / Size / Shape: Customised

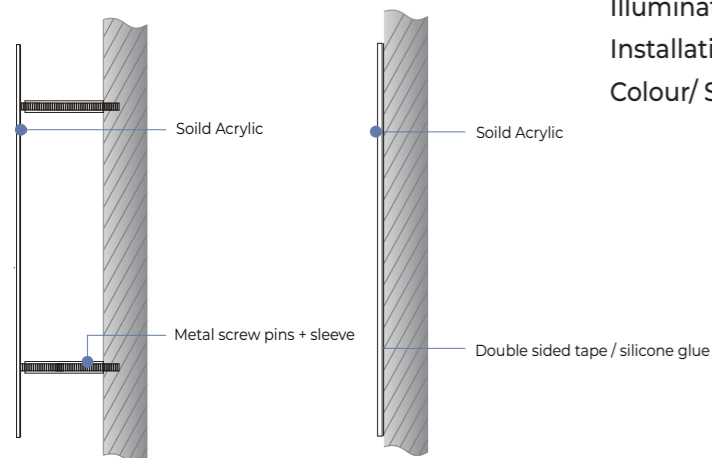


Acrylic Flat-Cut Letters (Route & Laser) Flush/Stand-off Mounting

SS-S1

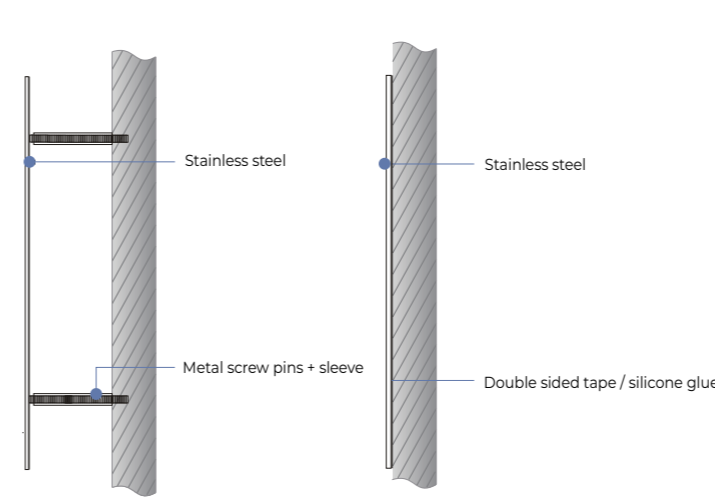


Soild acrylic - 3mm 5mm 10mm 15mm 20mm
with 2PAC painted, powder coated, UV printed
Other material options: Aluminium, Iron, Brass, Hard PVC
Illumination: N / A
Installation: Installation template included, Flush/Stand-off mount
Colour/ Size / Shape: Customised



Stainless Steel Flat-Cut Letters (Route & Laser) Flush/Stand-off Mounting

SS-S1



Stainless Steel - 1mm 3mm and 5mm (304 /316 grade)
with brushed/polished,2PAC painted, power coated,
electroplated, aged / rusted, UV printed
(A clear coat is available for all finishes if requested)
Other material options: Aluminium, Iron, Brass, Hard PVC
Illumination: N / A
Installation: Installation template included, Flush/Stand-off
mount
Colour/ Size / Shape: Customise



Multi-layer Acrylic Letters

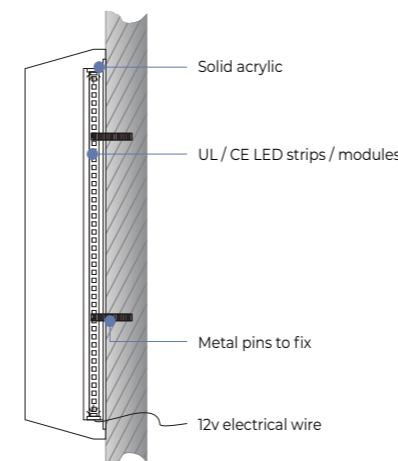
3D-098

Face: 3-20mm solid acrylic / 3-5mm stainless steel
 Body: 3-20mm solid acrylic
 Finish: UV printed / 2 PAC painted / electroplated
 Illumination: N/A
 Installation: Installation template included, Stand off bolts / screws, or Flush mounting
 Colour / Size / Shape: Customised



Solid Acrylic Engraved 3D LED Illuminated Letters

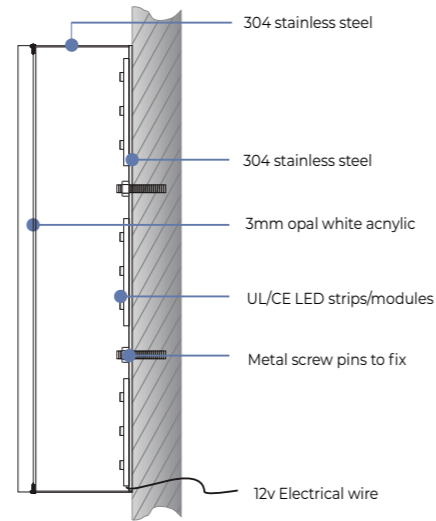
Mini-letter



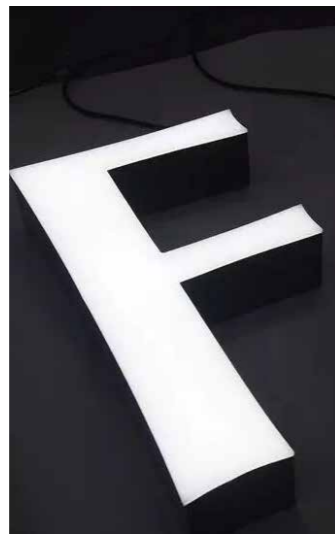
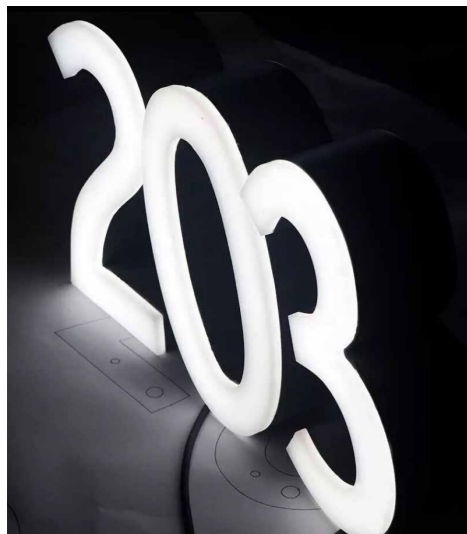
Face & Body: 20-25mm solid acrylic engraved for LED embedded, face and rear back lit, body block-out
 Back: 3mm / 5mm acrylic backing with illumination
 Finish: 2PAC painted or UV printing
 Illumination: LED stripes 3,000K ~10,000K
 (Brightness adjustable dimmer available at extra cost)
 Installation: Installation template included, Stand off bolts / screws, or Flush mounting
 Power Supply: Power Supply: 12v-240v C-Tick IP65 Meanwell
 Colour / Size / Shape: Customisedb

Face Illuminated Rimless LED Letters

3D-007



Face: 3mm / 4.5mm / 6mm Acrylic
Body: 1mm fabricated 304 grade stainless steel
(Option: 316 Marine Grade / Aluminum)
Finish: Plain silver, polished / brushed, electroplated,
powder coated, 2PAC painted etc, UV printed
Back: 10mm or 15mm PVC / stainless steel
Illumination: LED modules 3,000K ~10,000K
(Brightness adjustable dimmer available at extra cost)
Installation: Installation template included, Flush mounting
/ Stand off
Power Supply: 12v-240v C-Tick IP65 Meanwell
Colour / Size / Shape: Customised



Fabricated 3D LED Back Illuminated Letters with Acrylic Base

3D-006

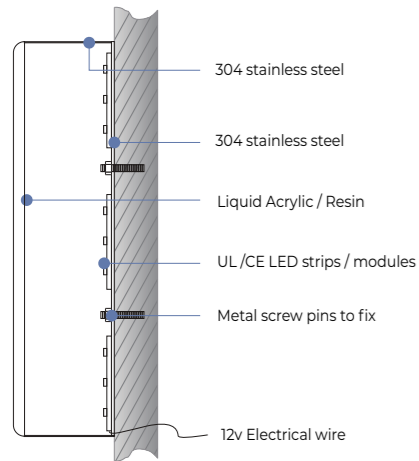


Face & Body: 1mm fabricated 304 grade stainless steel
(Option: 316 Marine Grade / Aluminum)
Backing panel: Acrylic up to 20mm
Finish: Plain silver, polished / brushed, electroplated,
powder coated, 2PAC painted, UV printing etc.
Illumination: LED modules 3,000K ~10,000K
(Brightness adjustable dimmer available at extra cost)
Installation: Installation template included,
Stand off bolts / screws, or Flush mounting
Power Supply: 12v-240v C-Tick IP65 Meanwell
Colour / Size / Shape: Customised



Rimless Resin 3D LED Front Illuminated Letters

3D-007

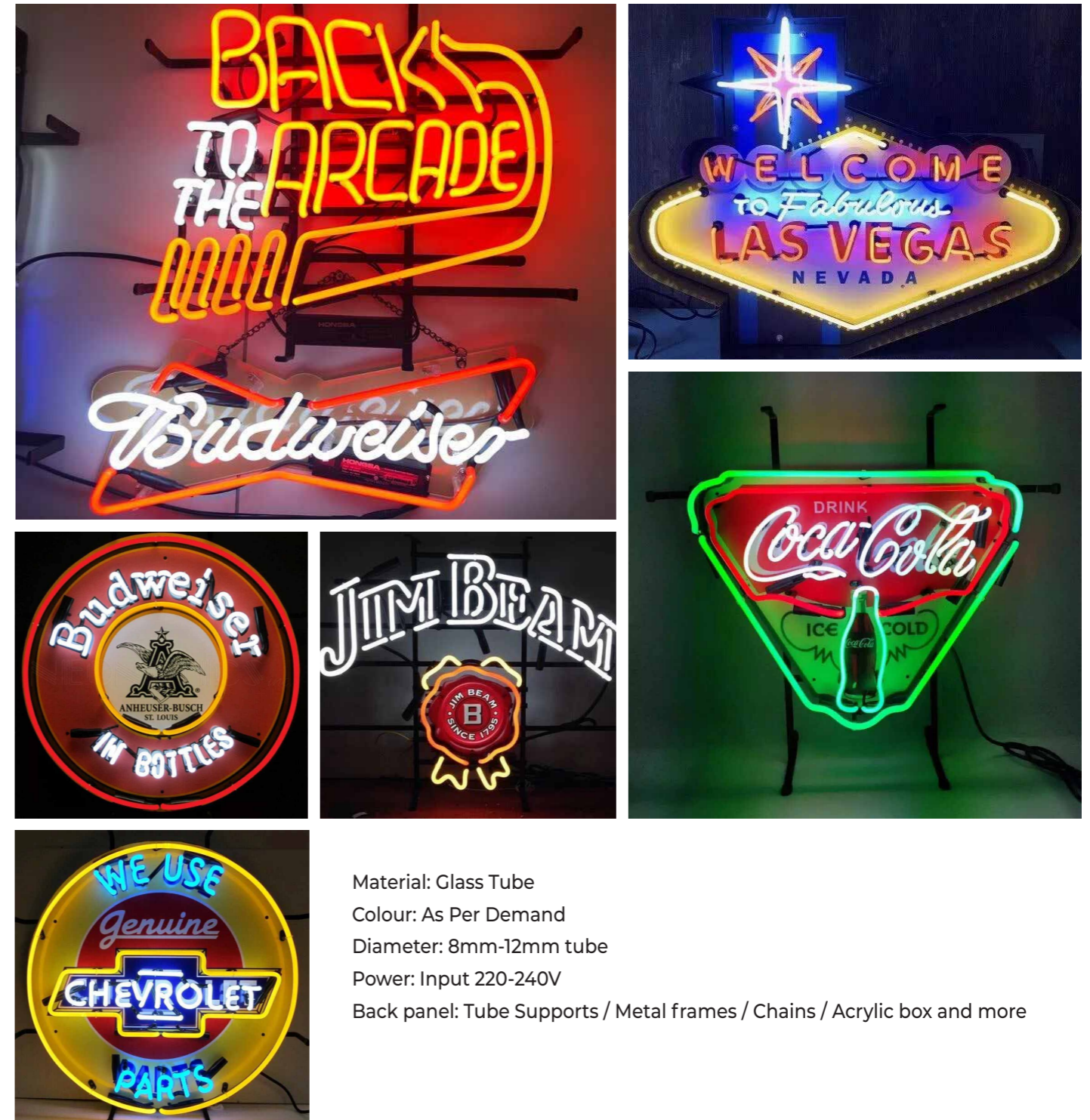


Face: 8mm-10mm Liquid Acrylic / Resin filled
 Body: 1mm 304 fabricated grade stainless steel
 (Option: 316 Marine grade)
 Finish: Plain silver, polished/ brushed, electroplated, powder coating, UV printed, etc
 Back: acrylic/stainless steel
 Illumination: LED modules 3,000K ~10,000K
 (Brightness adjustable dimmer available at extra cost)
 Installation: Installation template included, Stand off bolts/screws, or Flush mounting
 Power Supply: 12v-240v C-Tick IP65 Meanwell
 Colour / Size / Shape: Customised



Vintage Glass Neon Signs

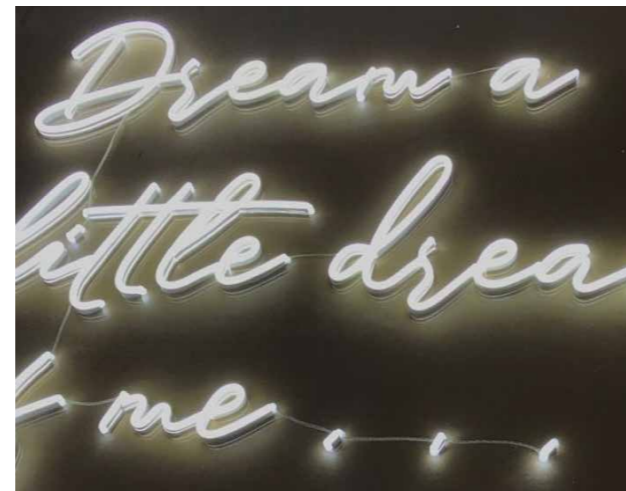
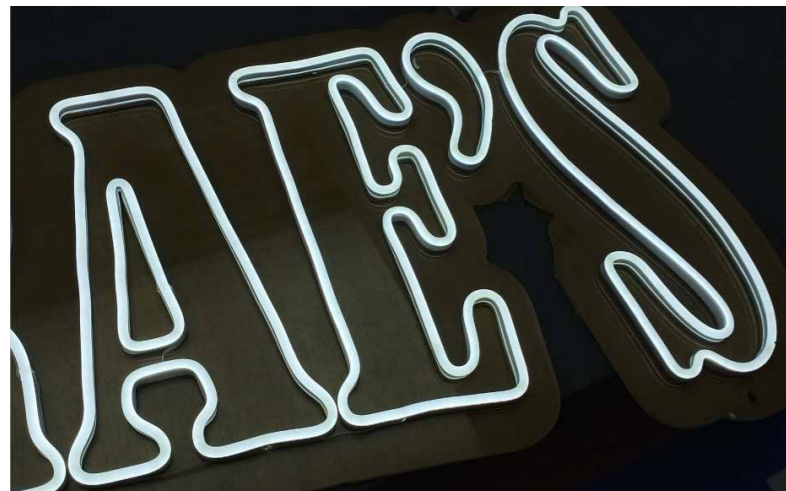
Neon-01



Material: Glass Tube
 Colour: As Per Demand
 Diameter: 8mm-12mm tube
 Power: Input 220-240V
 Back panel: Tube Supports / Metal frames / Chains / Acrylic box and more

LED Flex Rubber Neon Signs

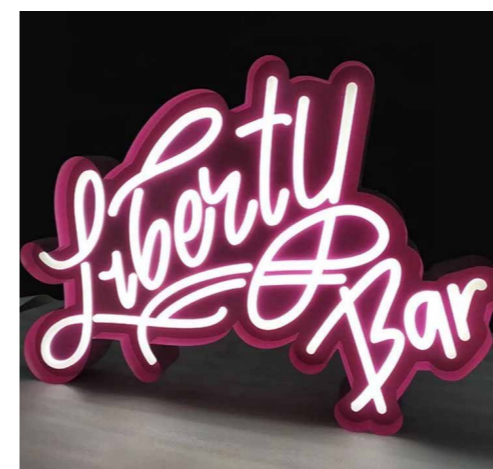
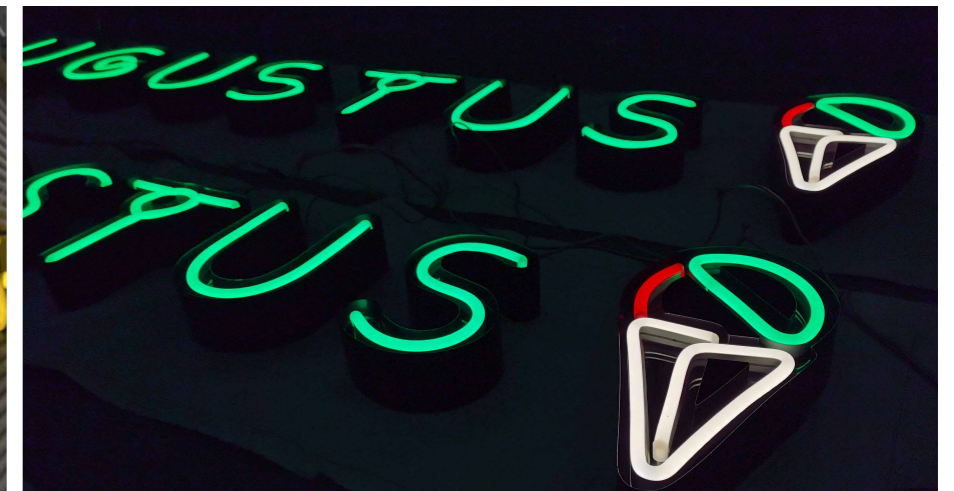
Neon-02



Material: PVC/ Rubber Tube (Neon-like Soft LED Stripes)
 Neon diameter: 6mm / 8mm / 12mm
 Neon light to be fixed on clear or coloured acrylic panel/metal panel
 Accessories: metal chains/stand-off mounts/acrylic box
 Power Supply: 12v-240v C-Tick IP65 Meanwell
 Colour/ Size / Shape: Customised

Curved Acrylic Neon (Engraved)

Neon-3



Face & Body: 15mm-25mm solid acrylic engraved for LED module filling
 Finish: Face illumination, side block out (colour painted TBC)
 Back: 10mm-25mm acrylic backing sealed/PVC/Stainless Steel (Metal case fabrication optional)
 Illumination: LED modules 3,000k - 10,000k (Dimmers available at extra cost)
 Installation: installation template included, flush mounting
 Power Supply: 12v-240v, C-Tick Meanwell transformer
 Colour / Size / Shape: Customized

Customised Pushed Through Light Box

LB-01



Custom-made blade signs, creating unique and modern look for your signage.

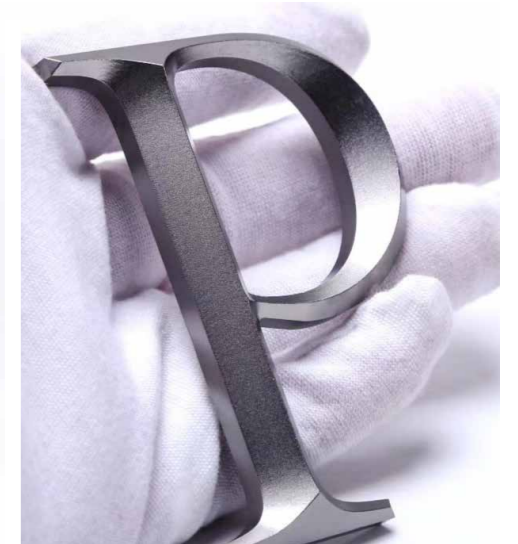
Waterproof and UV resistance for outdoor use.

Variety of materials available in order to suit your needs.

Light source: LED modules, brightness and colour adjustable.

Cylinder 3D Metal Letters

3D-CYLINDER



Materials & Finishes:

Aluminum - 2pac painting, powder coated, oxidised

Brass - 2pac painting, powder coated, oxidised

Face & Body: 3/5/8/10/15/20/25/30mm

Illumination: N/A

Installation: Installation template included, Stand off / Flush mount

Colour / Size / Shape: Customised

Stainless Steel Channel Letters

304 commercial grade or 316 Marine grade stainless steel

3D-001



Popular Finishes

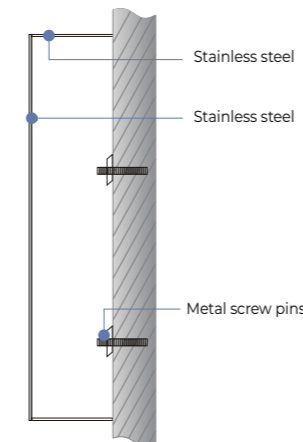


Materials & Finishes

- Stainless Steel – Brushed, polished, powder coated, UV printed, electroplated
- Brass – brushed, polished, oxidized
- Copper – polished, brushed, antique / rusty
- Titanium – bronze, gold, black, Blue, Polished, Linished Clear coat available for all finishes if requested

304 commercial grade or 316 Marine grade stainless steel Customized shapes, sizes and finishes to suit your needs Suitable for

- Reception sign
- Corporate identity
- Company logos
- Exterior building ID



Face & Body: 1mm fabricated 304 grade stainless steel (Option: 316 Marine Grade / Aluminum)
 Backing panel: stainless steel/acrylic/PVC
 Finish: Plain silver, polished / brushed, electroplated, powder coated, 2PAC painted, etc.
 Illumination: N/A
 Installation: Installation template included, Stand off bolts / screws, or Flush mounting
 Colour / Size / Shape: Customised

LED Vacuum Formed Sign

LB-02

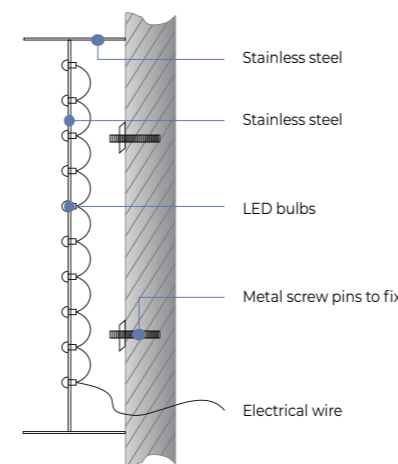
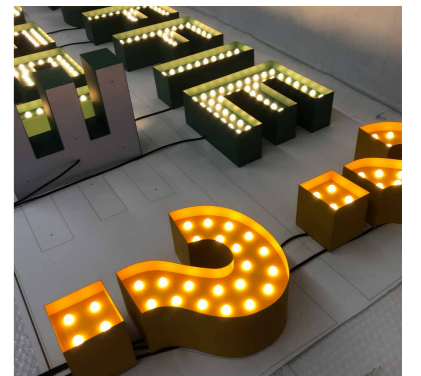


Fabricated metal body with vacuum formed acrylic face, with high quality waterproof LED light.

Suitable for outdoor and indoor use.
 Illumination: LED modules 3,000~10,000k
 (Dimmer available at extra cost)
 Installation: Installation template included
 Power Supply: 12v-240v C-Tick Meanwell transformer.
 Colour / Size / Shape: Customized

LED Bulbs Marquee Letters

3D-95



Material: 1.0mm 304 stainless steel fabrication
 (option for 316 stainless steel)
 Finish: Plain silver, polished / brushed, electroplated,
 powder coated, antique/rusty, UV printed, etc.
 Bulbs: 5-8mm LED rubber
 Illumination: LED modules 3,000K ~10,000K
 (Brightness adjustable dimmer available at extra cost)
 Installation: Installation template included,
 Stand off bolts/screws, or Flush mounting
 Power Supply: 12v-240v C-Tick IP65 Meanwell
 Colour / Size / Shape: Customised

Street Name Plaque / Gate Number Plate

3D-96



Material: Aluminium Panel, Acrylic, Stainless Steel
 Style: Customized
 Size: 150 x 300mm, 200 x 400mm, etc.
 Finish: 2PAC painted, powder coated, UV printed, electroplated, etched with ink filled, embossed
 Illumination: Non-illuminated, or LED 3,000K ~ 10,000K (Brightness adjustable dimmer available at extra cost)
 Installation: Flush Mount / Stand Off

Transformer Mean Well ELG-75/150/200/320-12A LED Driver



IP65



75W 12A



IP65



150W 12A



IP65



200W 12A



IP65



320W 12A

Aluminum Round & Square Light boxes

LB-RD-SP / LB-RD-FLAT / LB-SQ



Frame: Extruded aluminium with black powder coating
 Face: 3mm/4.5mm flat or vacuumed
 Bracket: single/double/none
 Light source: Side lighting LEDs, cool white
 Exterior and interior use
 Come with brackets ready to be fitted on to wall or ceiling, plug and play

Aluminum LED Light Box

LB-SS-L

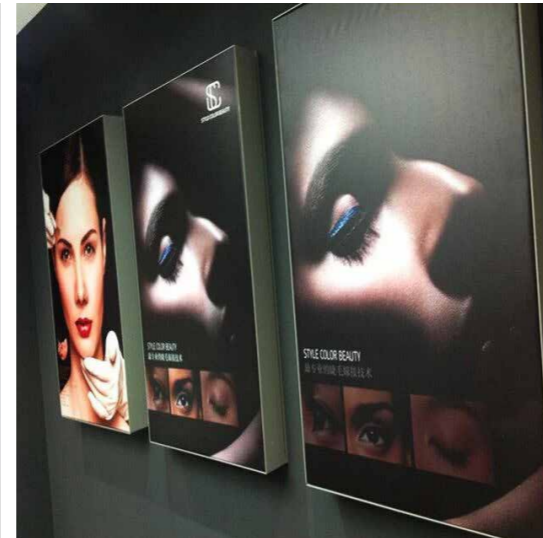


Frame: 150mm/200mm/300mm deep extruded aluminum frame, powder coated in black/white
 Face: 3mm/4.5mm/6mm thick opal acrylic panels on both sides.
 Light source: LED modules/ LED tubes
 Waterproof and UV resistant, indoor and outdoor use



Fabric Light Boxes

FLB-01



Smooth Frame-less Appearance

The edgeless (frameless) look is achieved by using fabric which is sewn along the edges with a silicone beading. The graphic is stretched slightly over the extrusion where the silicon beading fits into a channel groove along the outer edge of the display.

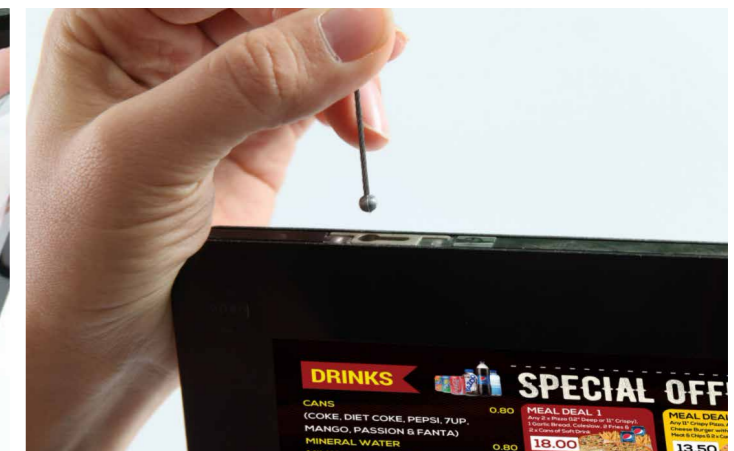
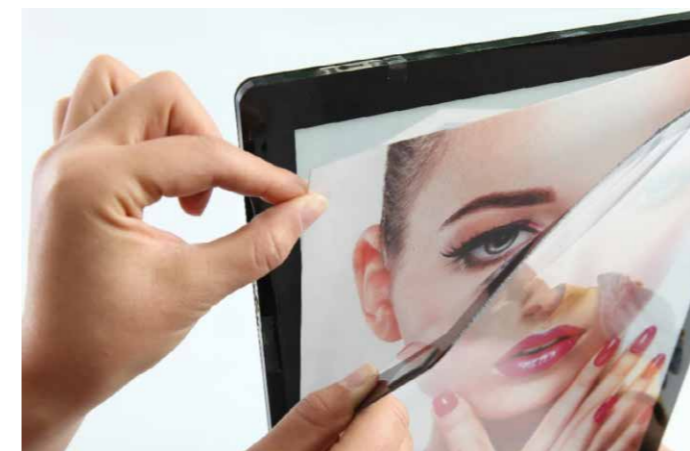
Portable

Frameless light box are made from lightweight recycled aluminum. It is very easy to dismantle and can be done in just a few minutes, which makes it great for trade shows, events or relocating. Despite their large display size, they can be stored in very small spaces.



Real Estate LED Light Box A3/A4

LB-RE-A4 / LB-RE-A4



Real Estate Window Display LED Lightbox A4 size | LED Window Signs Clear acrylic light box with LED built in.

Easy set up using aluminium bar + hanging cable system

Slideable Aluminium bar to adjust light box horizontal spacing of each column

Meanwell power supply

Custom size available

Vertical or horizontal display adjustable

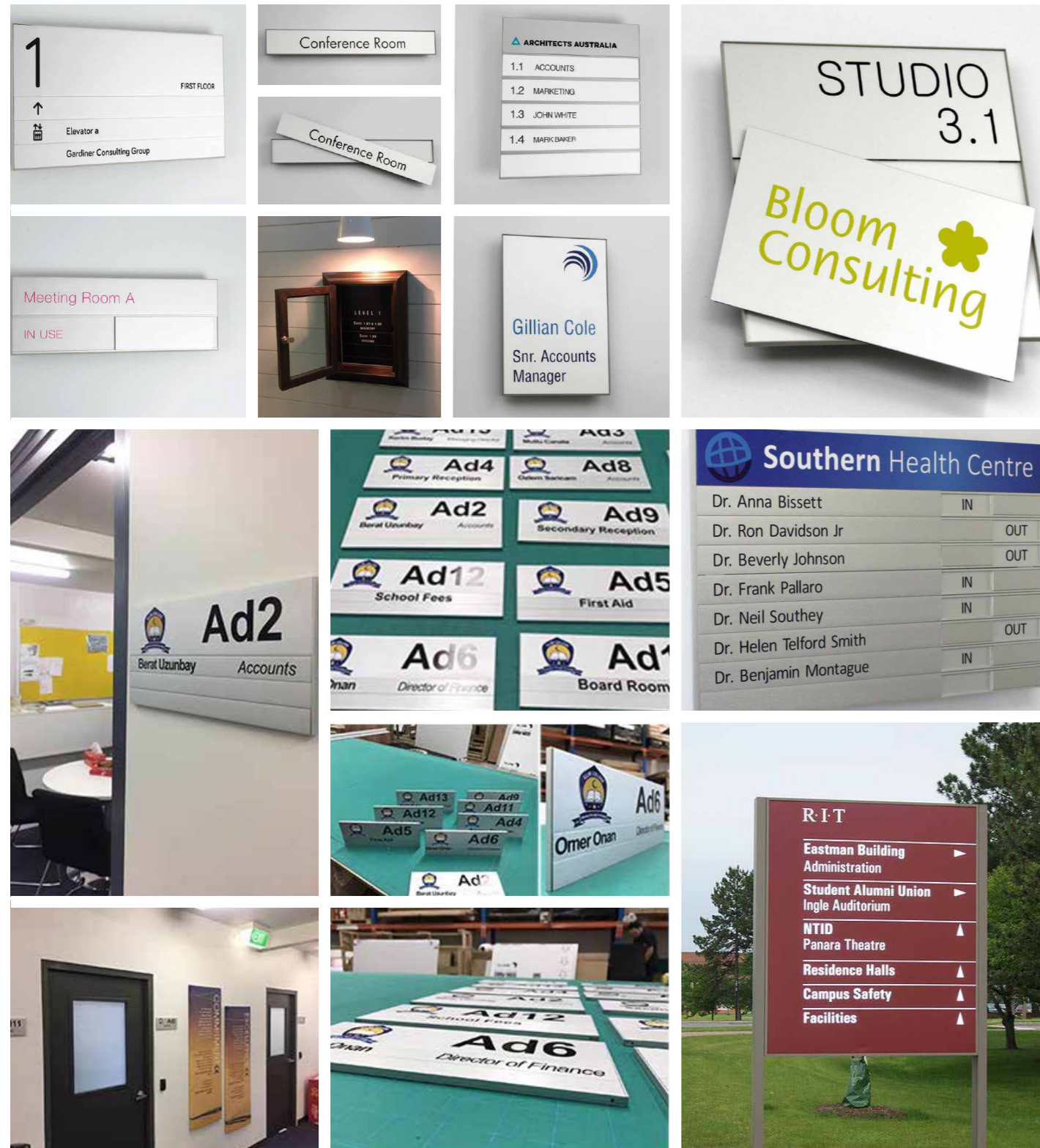
Great energy efficient performance, wise choice for 24/7 advertising display

Magnet adhesive cover, easy and quick poster updates.



Directory Sign Board

Msign-F

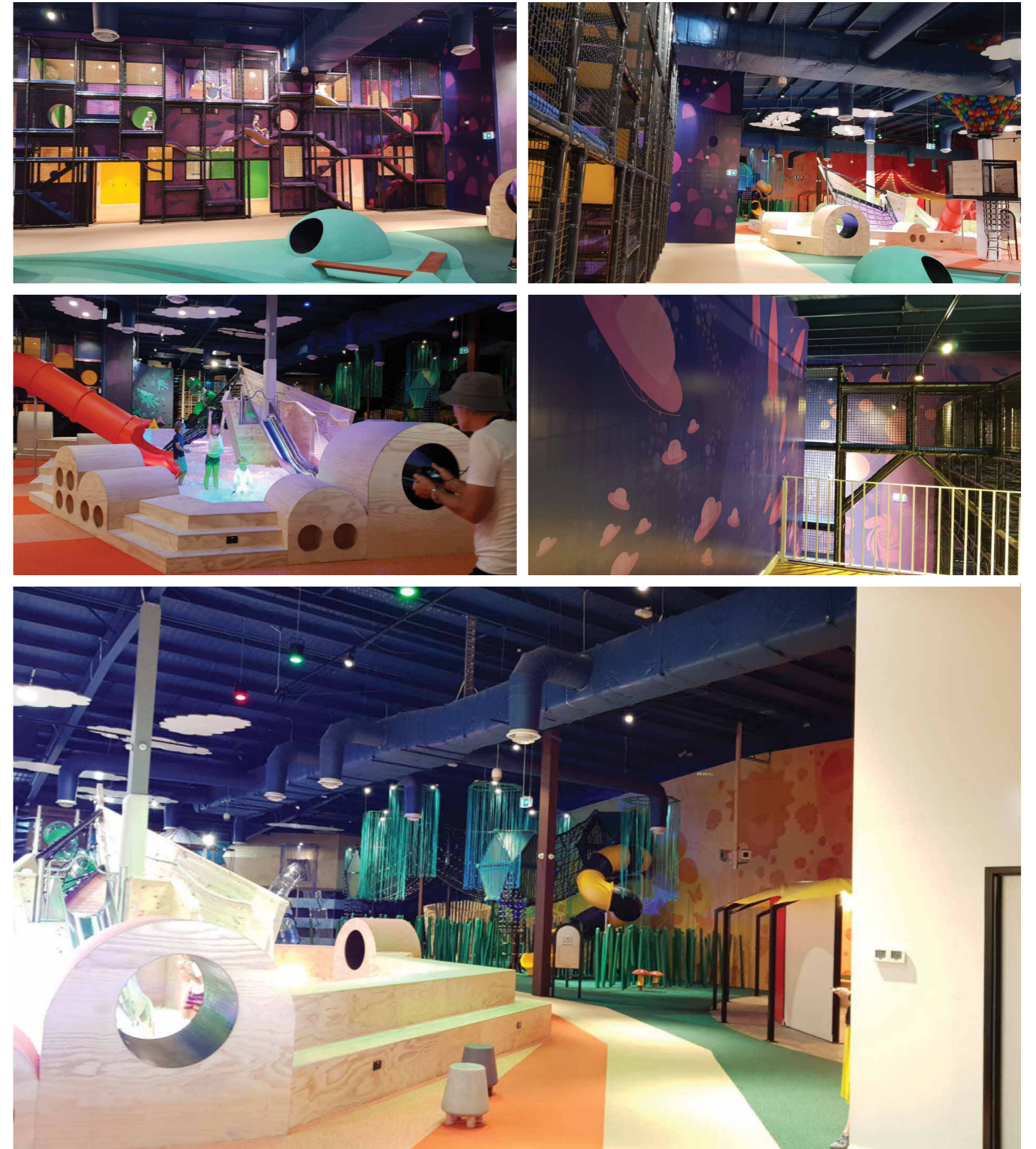


Aluminium Panel Sign

Msign-03





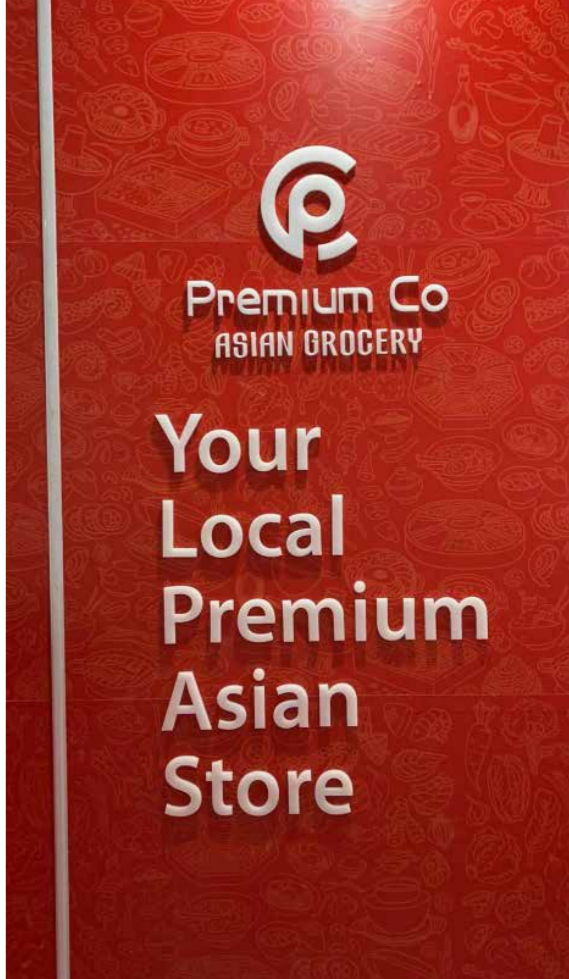
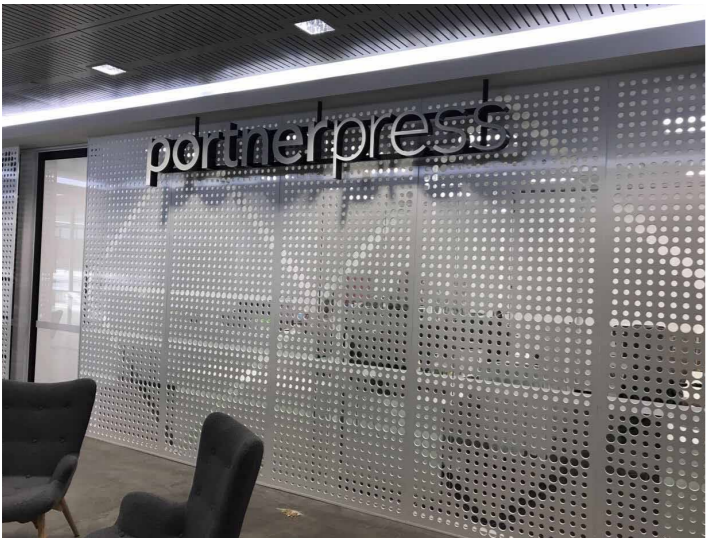


Case Gallery



Case Gallery











Case Gallery





1300 550 168
sales@bigbanner.com.au
SUNSHINE WEST, 3020



+86 1831 888 48 28
yigesignage@hotmail.com
GUANGZHOU, CHINA