



## Get A Quick Quote! Get A Quick Run!

- Local & off-shore production lines ensuring high capacity of delivering large volumes
- Fully comply with Australian Signage Standards
- Experienced staffs running QC on all individual items with NO skip
- Professional Installers solving all your headaches on-site

## About Us:

---

**BIG BANNER AUSTRALIA** focuses on providing the best products and services to sign professionals worldwide!

**BIG BANNER AUSTRALIA** in making all kinds of 3D signage products including Stainless Steel Fabricated Letters, Acrylic Letters, LED Channel Letters, Neon Style Signs, Directional & Identification Display System, Pylon Sign, Blade Sign / Light Box. Over the years, we became one of the Leading Sign Distributors in Australia.

Big Banner grouped with Yi Ge Advertising (CHINA) from 2015 which increases our capacity to provide effective and efficient solutions for our valuable customers not only in the Asian-Pacific region, but also Global Wide.

Our target is to provide competitive and professional signage solutions for your business at the quickest turn around with achievement of 100% satisfaction.

## Please prepare the below information when you need a quote:

---



Draft of design with size marked,  
if not available, provide contents  
(letters, logo, font, size of space  
where the sign will be installed).



**Interior or Exterior?**



**Illuminate or Non-illuminate ?**



**Deadline if there is one.**



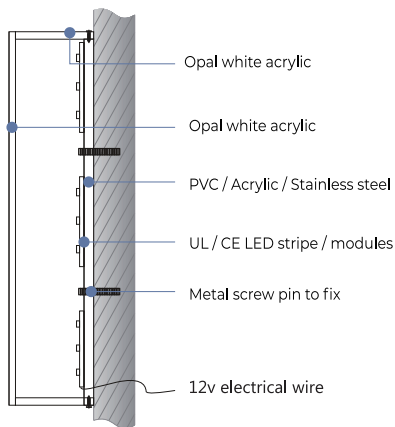
**Installation request?**

- (1) Where
- (2) Current condition for installation point
- (3) Distance from ground

With the above information, a quote/ proposal will be provided within 12 working hours.

# Acrylic Fabricated 3D LED Front/Side Illuminated Letters

3D-027



Face: 3-10mm solid Acrylic

Body: 3-5mm solid Acrylic

Finish: 2PAC painted/ UV printed opal acrylic face with fabricated opal acrylic body

Back: PVC/Acrylic/Stainless Steel

Illumination: LED modules 3,000k ~ 10,000k

(Brightness adjustable dimmer available at extra cost)

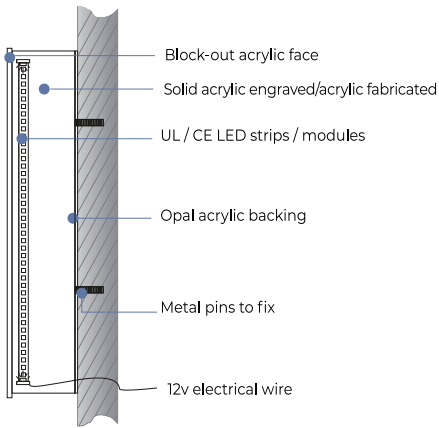
Installation: Installation template included, Methods of screw fixing, adhesive, etc

Power Supply: 12v-240v C-Tick IP65 Meanwell transformer

Colour / Size / Shape: Customised

# Acrylic Engraved/Fabricated 3D LED Back Illuminated Letters

3D-026



3mm / 5mm solid acrylic with block out colour (2PAC painted / UV)  
(option: metal surface with various finishing)

Body: solid acrylic engraved/acrylic fabricated

Finish: fabricated or solid engraved acrylic returns with glued acrylic face

Back: enclosed with 3mm acrylic or 8mm / 10mm / 15mm PVC panel

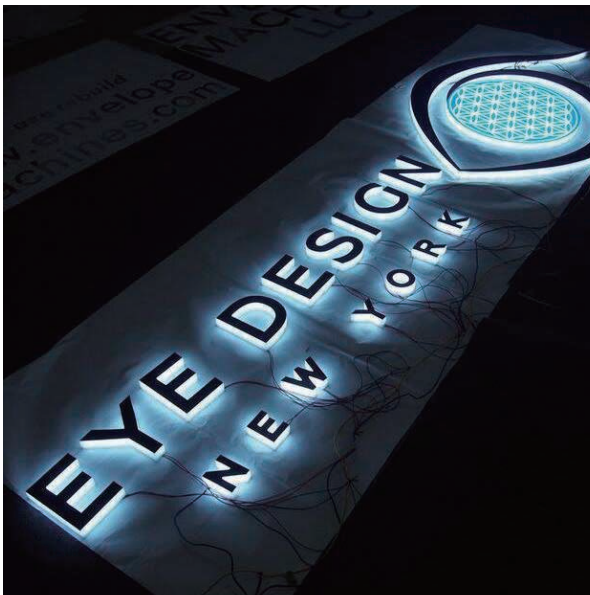
Illumination: LED modules 3,000k ~ 10,000k

(Brightness adjustable dimmer available at extra cost)

Installation: Installation template included, Methods of screw fixing, adhesive, etc

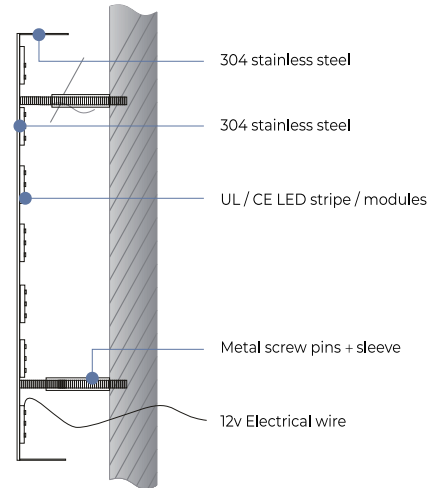
Power Supply: 12v-240v C-Tick IP65 Meanwell transformer

Colour / Size / Shape: Customised



# Stainless Steel Fabricated 3D LED Back Illuminated Letters (Open Back)

3D-1002

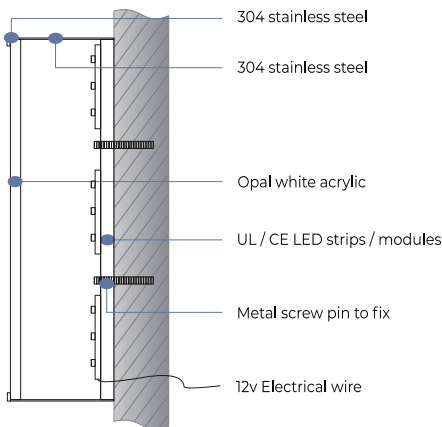


Face & Body: Fabricated 1mm 304 grade stainless steel  
(Option: 1mm / 2mm / 3mm 316 Marine Grade)  
Finish: Plain silver, polished / brushed, electroplated, powder coated, aged / rusty, UV printed, etc.  
Back: Open back (Option of closed back with 3 - 15mm Acrylic)  
Illumination: LED modules 3,000k~10,000k  
(Brightness adjustable dimmer available at extra cost)  
Installation: Installation template included, Stand off bolts / screws  
Power Supply: 12v-240v C-Tick IP65 Meanwell transformer  
Colour / Size / Shape: Customised



# Stainless Steel Fabricated 3D LED Front Illuminated Letters

3D-005



Face: 3mm / 4.5mm opal acrylic / UV printed / colour vinyl wrap

Body: 1mm 304 grade stainless steel fabricated

(Option: 316 Marine Grade / Aluminium )

Finish(body): Plain silver, polished / brushed, electroplated, powder coated, etc

Back: PVC or stainless steel

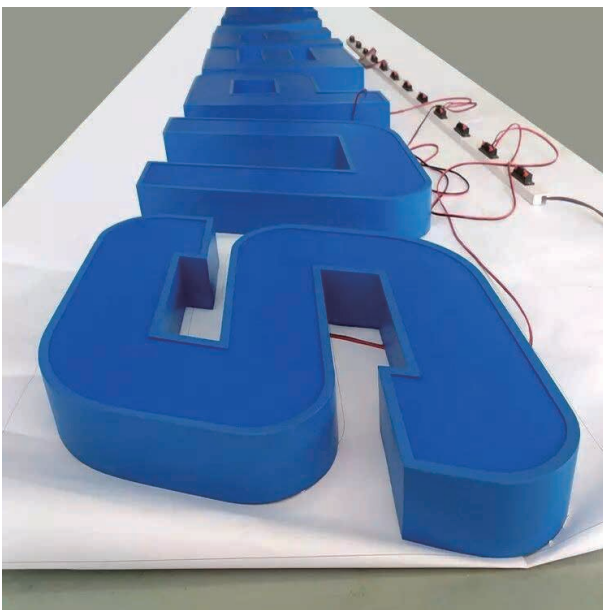
Illumination: LED modules 3,000K ~10,000K

(Brightness adjustable dimmer available at extra cost)

Installation: Installation template included, Flush mounting / Stand off

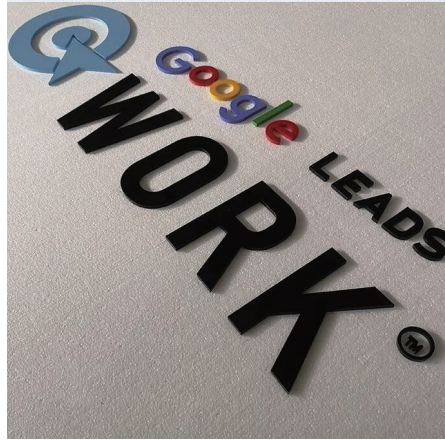
Power Supply: 12v-240v C-Tick IP65 Meanwell transformer

Colour / Size / Shape: Customised



# Acrylic Flat-Cut Letters (Route & Laser) Flush/Stand-off Mounting

SS-S1



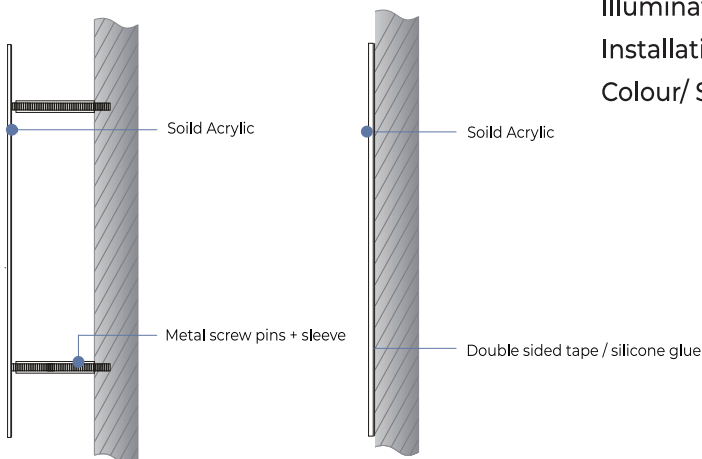
Solid acrylic - 3mm 5mm 10mm 15mm 20mm  
with 2PAC painted, powder coated, UV printed

Other material options: Aluminium, Iron, Brass, Hard PVC

Illumination: N / A

Installation: Installation template included, Flush/Stand-off mount

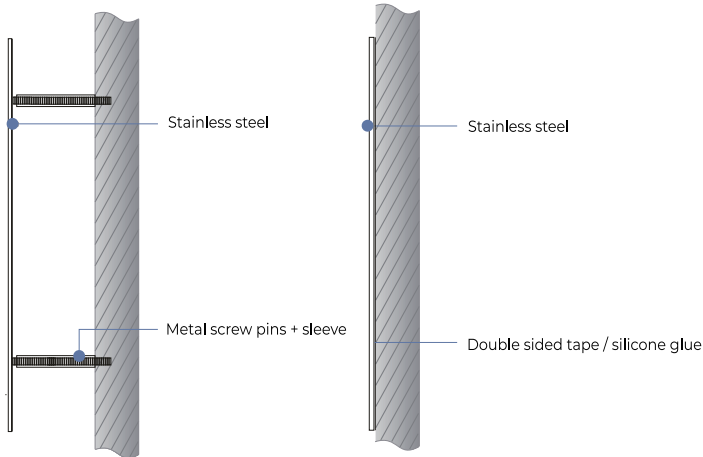
Colour/ Size / Shape: Customised





# Stainless Steel Flat-Cut Letters (Route & Laser) Flush/Stand-off Mounting

SS-S1



Stainless Steel - 1mm 3mm and 5mm (304 /316 grade)  
with brushed/polished, 2PAC painted, power coated,  
electroplated, aged / rusted, UV printed

(A clear coat is available for all finishes if requested)

Other material options: Aluminium, Iron, Brass, Hard PVC

Illumination: N / A

Installation: Installation template included, Flush/Stand-off  
mount

Colour/ Size / Shape: Customise



# Multi-layer Acrylic Letters

3D-098

Face: 3-20mm solid acrylic / 3-5mm stainless steel

Body: 3-20mm solid acrylic

Finish: UV printed / 2 PAC painted / electroplated

Illumination: N/A

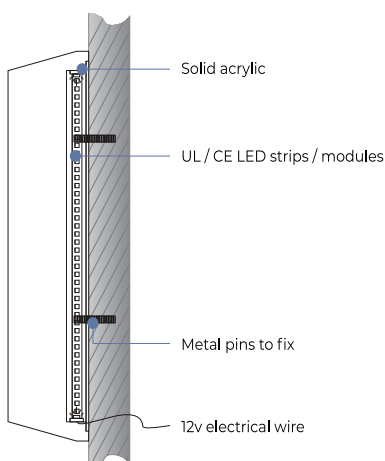
Installation: Installation template included, Stand off bolts / screws, or Flush mounting

Colour / Size / Shape: Customised



# Solid Acrylic Engraved 3D LED Illuminated Letters

Mini-letter



Face & Body: 20-25mm solid acrylic engraved for LED embedded, face and rear back lit, body block-out

Back: 3mm / 5mm acrylic backing with illumination

Finish: 2PAC painted or UV printing

Illumination: LED stripes 3,000K ~10,000K

(Brightness adjustable dimmer available at extra cost)

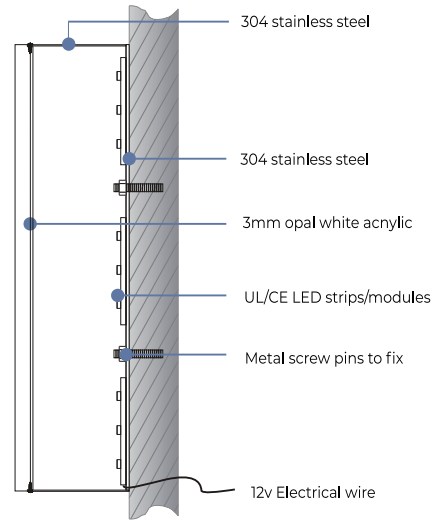
Installation: Installation template included, Stand off bolts / screws, or Flush mounting

Power Supply: Power Supply: 12v-240v C-Tick IP65 Meanwell

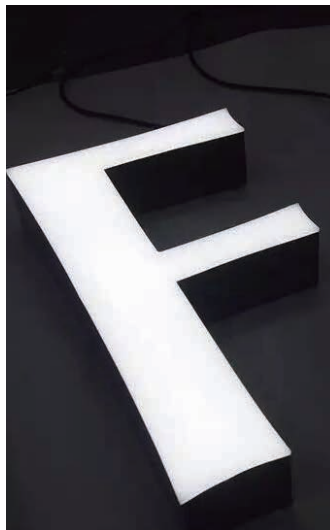
Colour / Size / Shape: Customised

# Face Illuminated Rimless LED Letters

3D-007



Face: 3mm / 4.5mm / 6mm Acrylic  
Body: 1mm fabricated 304 grade stainless steel  
(Option: 316 Marine Grade / Aluminum)  
Finish: Plain silver, polished / brushed, electroplated,  
powder coated, 2PAC painted etc, UV printed  
Back: 10mm or 15mm PVC / stainless steel  
Illumination: LED modules 3,000K ~10,000K  
(Brightness adjustable dimmer available at extra cost)  
Installation: Installation template included, Flush mounting  
/ Stand off  
Power Supply: 12v-240v C-Tick IP65 Meanwell  
Colour / Size / Shape: Customised

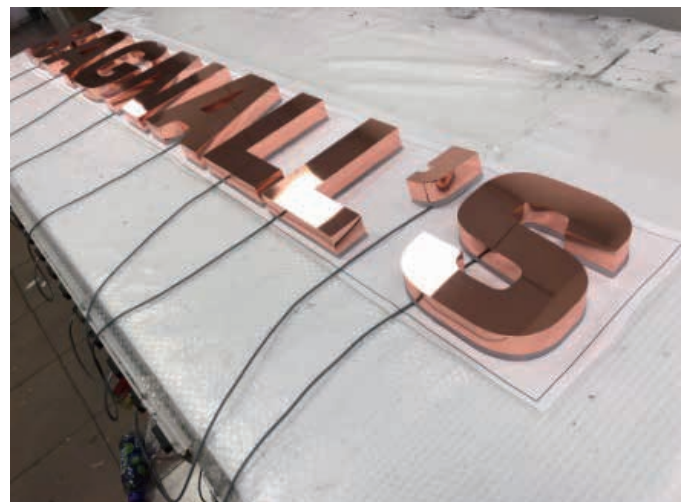


# Fabricated 3D LED Back Illuminated Letters with Acrylic Base

3D-006

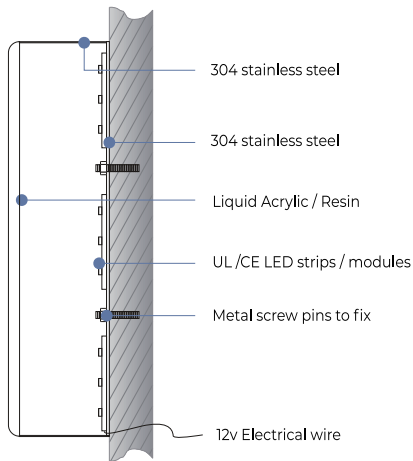


Face & Body: 1mm fabricated 304 grade stainless steel  
(Option: 316 Marine Grade / Aluminum)  
Backing panel: Acrylic up to 20mm  
Finish: Plain silver, polished / brushed, electroplated.  
powder coated, 2PAC painted, UV printing etc.  
Illumination: LED modules 3,000K ~10,000K  
(Brightness adjustable dimmer available at extra cost)  
Installation: Installation template included,  
Stand off bolts / screws, or Flush mounting  
Power Supply: 12v-240v C-Tick IP65 Meanwell  
Colour / Size / Shape: Customised



# Rimless Resin 3D LED Front Illuminated Letters

3D-007



Face: 8mm-10mm Liquid Acrylic / Resin filled

Body: 1mm 304 fabricated grade stainless steel

(Option: 316 Marine grade)

Finish: Plain silver, polished/ brushed, electroplated. powder coating, UV printed, etc

Back: acrylic/stainless steel

Illumination: LED modules 3,000K ~10,000K

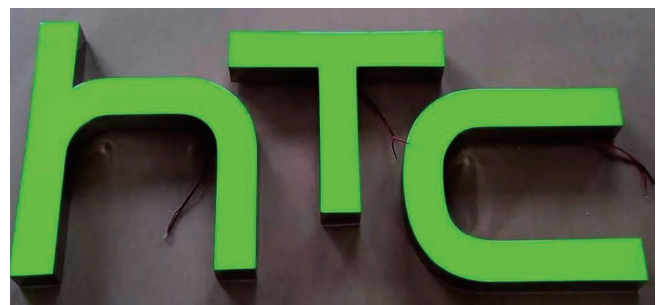
(Brightness adjustable dimmer available at extra cost)

Installation: Installation template included,

Stand off bolts/screws, or Flush mounting

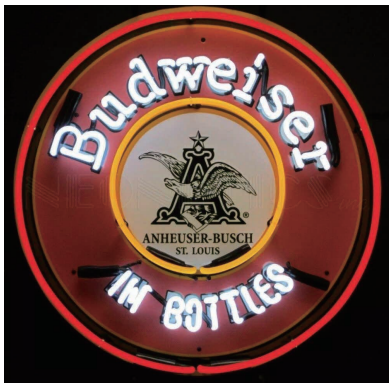
Power Supply: 12v-240v C-Tick IP65 Meanwell

Colour / Size / Shape: Customised



# Vintage Glass Neon Signs

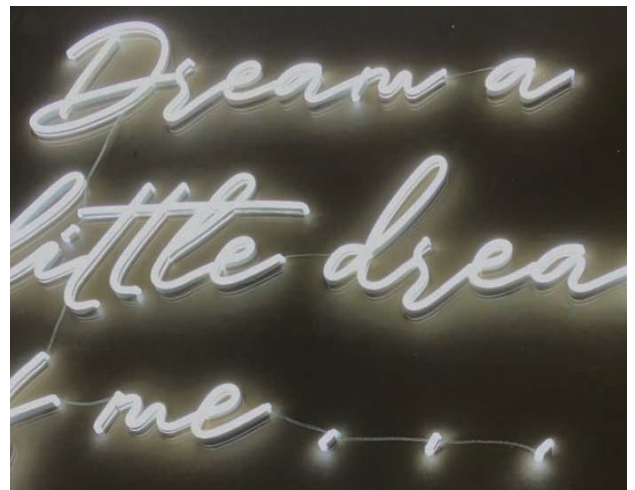
Neon-01



Material: Glass Tube  
Colour: As Per Demand  
Diameter: 8mm-12mm tube  
Power: Input 220-240V  
Back panel: Tube Supports / Metal frames / Chains / Acrylic box and more

# LED Flex Rubber Neon Signs

Neon-02



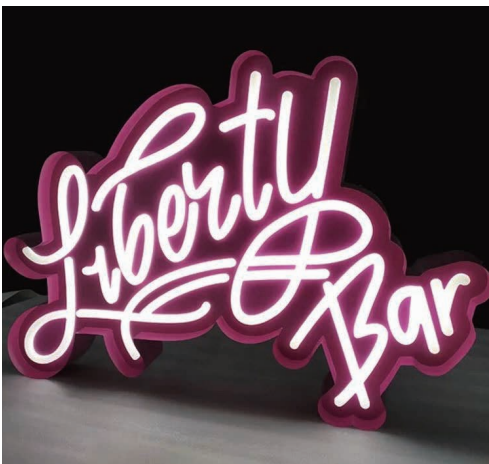
Material: PVC/ Rubber Tube (Neon-like Soft LED Stripes)  
Neon diameter: 6mm / 8mm / 12mm  
Neon light to be fixed on clear or coloured acrylic panel/metal panel  
Accessories: metal chains/stand-off mounts/acrylic box  
Power Supply: 12v-240v C-Tick IP65 Meanwell  
Colour/ Size / Shape: Customised





# Curved Acrylic Neon (Engraved)

Neon-3



Face & Body: 15mm-25mm solid acrylic engraved for LED module filling  
Finish: Face illumination, side block out (colour painted TBC)  
Back: 10mm-25mm acrylic backing sealed/PVC/Stainless Steel  
(Metal case fabrication optional)  
Illumination: LED modules 3,000k – 10,000k  
(Dimmers available at extra cost)  
Installation: installation template included, flush mounting  
Power Supply: 12v-240v, C-Tick Meanwell transformer  
Colour / Size / Shape: Customized

# Customised Pushed Through Light Box

LB-01



Custom-made blade signs, creating unique and modern look for your signage.

Waterproof and UV resistance for outdoor use.

Variety of materials available in order to suit your needs.

Light source: LED modules, brightness and colour adjustable.

# Cylinder 3D Metal Letters

3D-CYLINDER



## Materials & Finishes:

Aluminum - 2pac painting, powder coated, oxidised

Brass - 2pac painting, powder coated, oxidised

Face & Body: 3/5/8/10/15/20/25/30mm

Illumination: N/A

Installation: Installation template included, Stand off / Flush mount

Colour / Size / Shape: Customised

# Stainless Steel Channel Letters

304 commercial grade or 316 Marine grade stainless steel

3D-001



# Popular Finishes

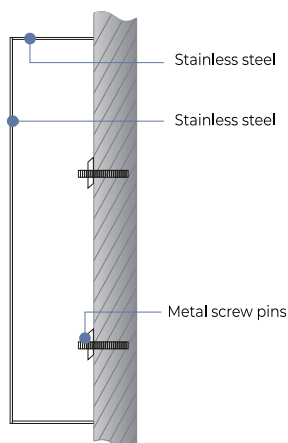


## Materials & Finishes

- Stainless Steel – Brushed, polished, powder coated, UV printed, electroplated
- Brass – brushed, polished, oxidized
- Copper – polished, brushed, antique / rusty
- Titanium – bronze, gold, black, Blue, Polished, Linished Clear coat available for all finishes if requested

**304 commercial grade or 316 Marine grade stainless steel Customized shapes, sizes and finishes to suit your needs Suitable for**

- Reception sign
- Corporate identity
- Company logos
- Exterior building ID



Face & Body: 1mm fabricated 304 grade stainless steel (Option: 316 Marine Grade / Aluminum)

Backing panel: stainless steel/acrylic/PVC

Finish: Plain silver, polished / brushed, electroplated, powder coated, 2PAC painted, etc.

Illumination: N/A

Installation: Installation template included, Stand off bolts / screws, or Flush mounting

Colour / Size / Shape: Customised

# LED Vacuum Formed Sign

LB-02



***Fabricated metal body with vacuum formed acrylic face, with high quality waterproof LED light.***

Suitable for outdoor and indoor use.

Illumination: LED modules 3,000~10,000k

(Dimmer available at extra cost)

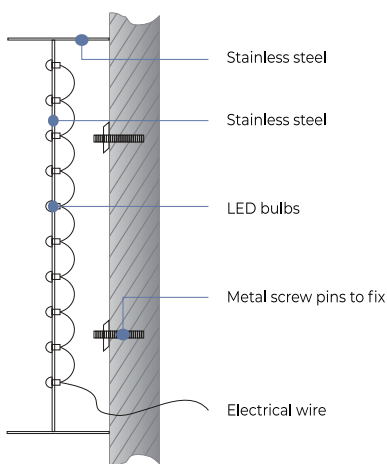
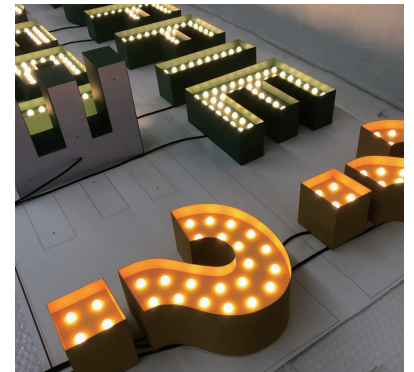
Installation: Installation template included

Power Supply: 12v-240v C-Tick Meanwell transformer.

Colour / Size / Shape: Customized

# LED Bulbs Marquee Letters

3D-95



Material: 1.0mm 304 stainless steel fabrication  
(option for 316 stainless steel)

Finish: Plain silver, polished / brushed, electroplated,  
powder coated, antique/rusty, UV printed, etc.

Bulbs: 5-8mm LED rubber

Illumination: LED modules 3,000K ~10,000K

(Brightness adjustable dimmer available at extra cost)

Installation: Installation template included,  
Stand off bolts/screws, or Flush mounting

Power Supply: 12v-240v C-Tick IP65 Meanwell

Colour / Size / Shape: Customised

# Street Name Plaque / Gate Number Plate

3D-96



Material: Aluminium Panel, Acrylic, Stainless Steel

Style: Customized

Size: 150 x 300mm, 200 x 400mm, etc.

Finish: 2PAC painted, powder coated, UV printed, electroplated,  
etched with ink filled, embossed

Illumination: Non-illuminated, or LED 3,000K ~ 10,000K  
(Brightness adjustable dimmer available at extra cost)

Installation: Flush Mount / Stand Off



# Transformer Mean Well ELG-75/150/200/320-12A LED Driver

---



**IP65**



**75W 12A**



**IP65**



**150W 12A**



**IP65**



**200W 12A**



**IP65**



**320W 12A**

# Aluminum Round & Square Light boxes

LB-RD-SP / LB-RD-FLAT / LB-SQ



Frame: Extruded aluminium with black powder coating  
Face: 3mm/4.5mm flat or vacuumed  
Bracket: single/double/none  
Light source: Side lighting LEDs, cool white  
Exterior and interior use  
Come with brackets ready to be fitted on to wall or ceiling, plug and play

# Aluminum LED Light Box

LB-SS-L



Frame: 150mm/200mm/300mm deep extruded aluminum frame, powder coated in black/white

Face: 3mm/4.5mm/6mm thick opal acrylic panels on both sides.

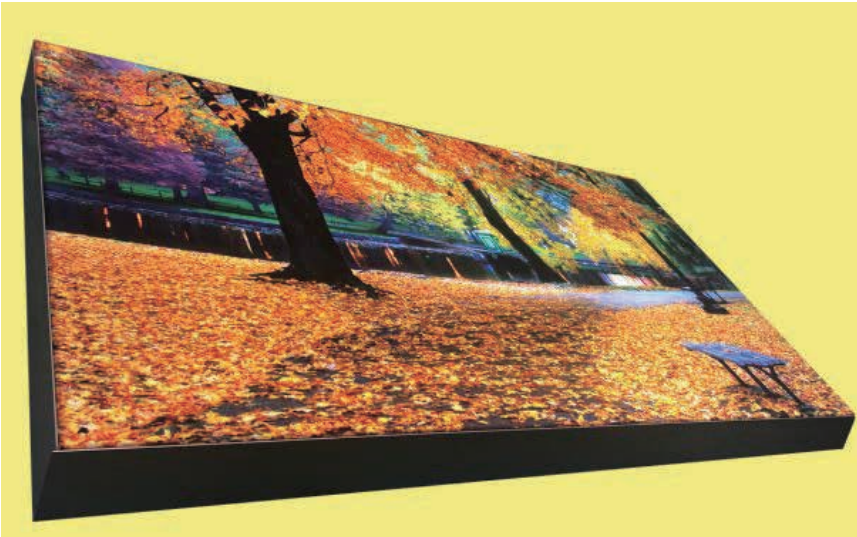
Light source: LED modules/ LED tubes

Waterproof and UV resistant, indoor and outdoor use



# Fabric Light Boxes

FLB-01



## **Smooth Frame-less Appearance**

The edgeless (frameless) look is achieved by using fabric which is sewn along the edges with a silicone beading. The graphic is stretched slightly over the extrusion where the silicon beading fits into a channel groove along the outer edge of the display.

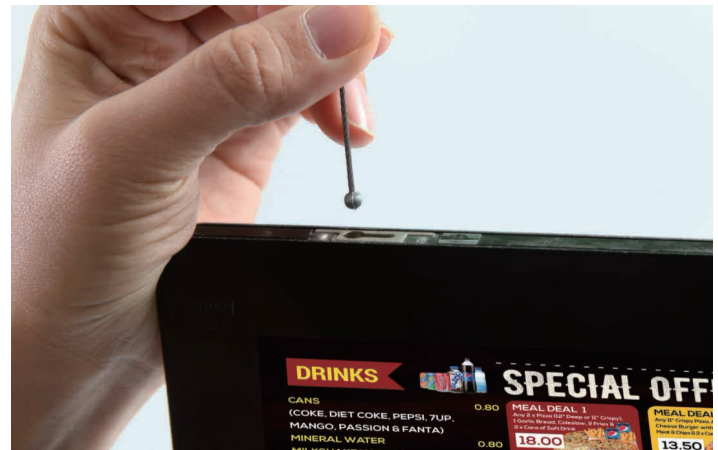
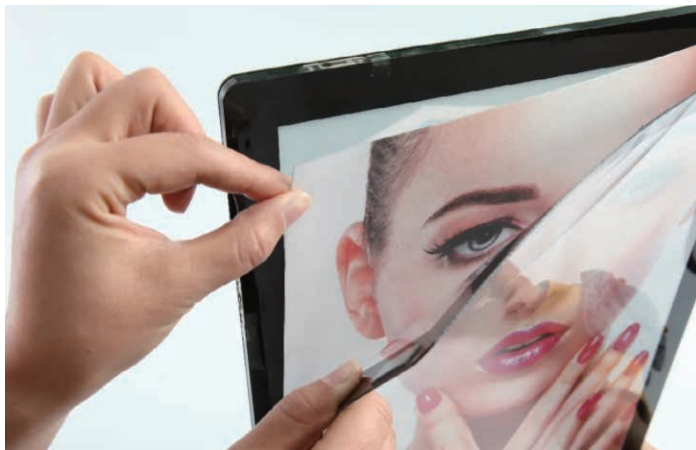
## **Portable**

Frameless light box are made from lightweight recycled aluminum. It is very easy to dismantle and can be done in just a few minutes, which makes it great for trade shows, events or relocating. Despite their large display size, they can be stored in very small spaces.



# Real Estate LED Light Box A3/A4

LB-RE-A4 / LB-RE-A4

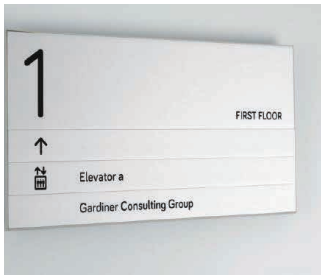


Real Estate Window Display LED Lightbox A4 size | LED Window Signs Clear acrylic light box with LED built in.  
Easy set up using aluminium bar + hanging cable system  
Slideable Aluminium bar to adjust light box horizontal spacing of each column  
Meanwell power supply  
Custom size available  
Vertical or horizontal display adjustable  
Great energy efficient performance, wise choice for 24/7 advertising display  
Magnet adhesive cover, easy and quick poster updates.

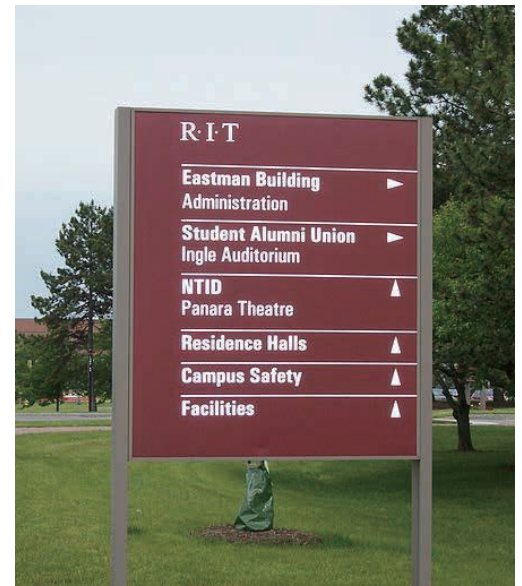


# Directory Sign Board

Msign-F

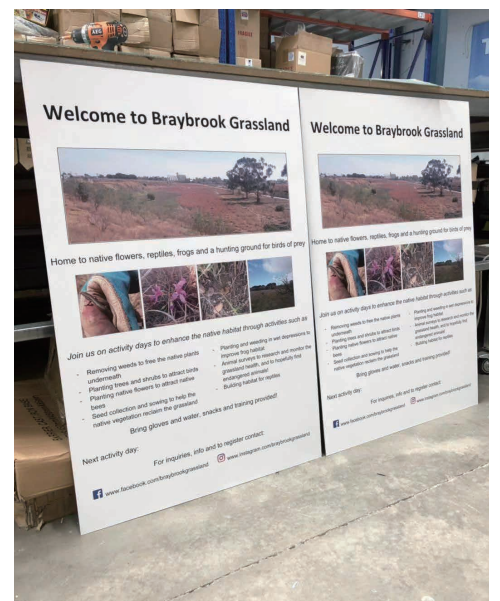


Southern Health Centre		
Dr. Anna Bissett	IN	
Dr. Ron Davidson Jr		OUT
Dr. Beverly Johnson		OUT
Dr. Frank Pallaro	IN	
Dr. Neil Southey	IN	
Dr. Helen Telford Smith		OUT
Dr. Benjamin Montague	IN	



# Aluminium Panel Sign

Msign-03







# Case Gallery



# Case Gallery

---



# Case Gallery

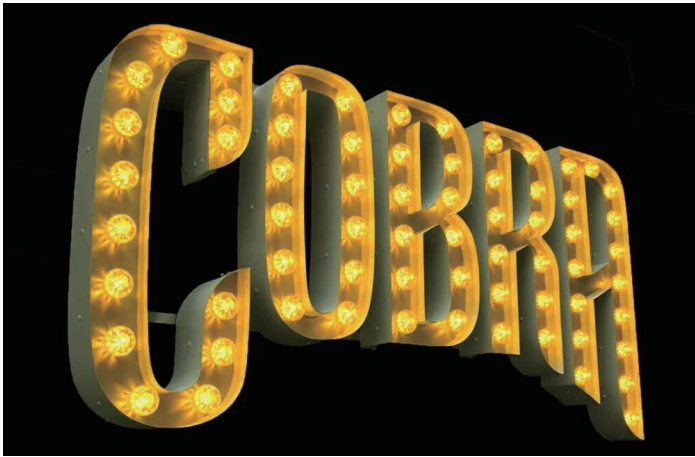


# Case Gallery

---



# Case Gallery



# Case Gallery



# Case Gallery



# Case Gallery

---





# Case Gallery



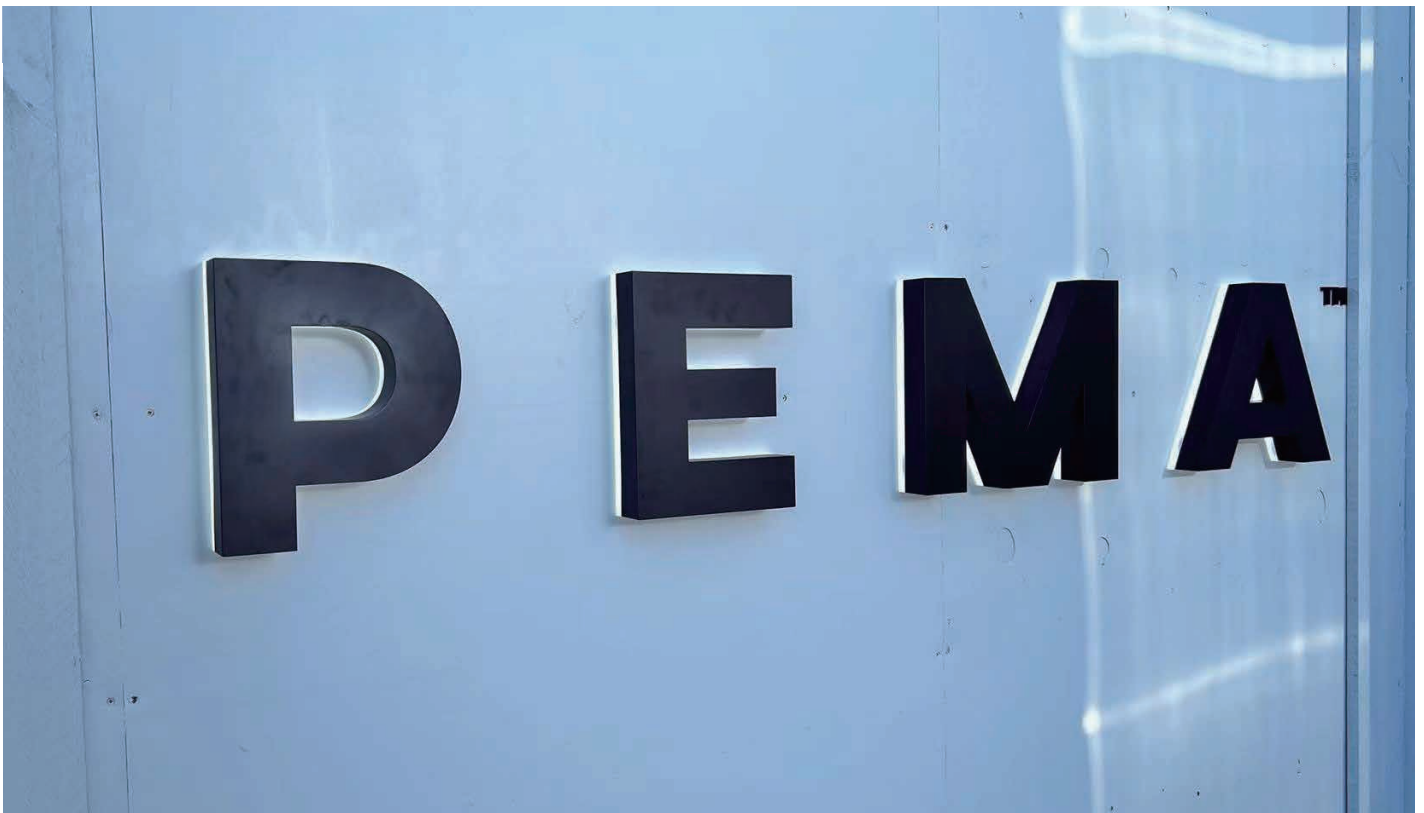
# Case Gallery

---



# Case Gallery

---



# Case Gallery





# Case Gallery







**bba**  
*Trusted Signage Supplier*

1300 550 168  
sales@bigbanner.com.au  
SUNSHINE WEST, 3020

伊格

+86 1831 888 48 28  
yigesignage@hotmail.com  
GUANGZHOU, CHINA