

Round Light Box – Vacuum Foamed Face

Artwork Specifications

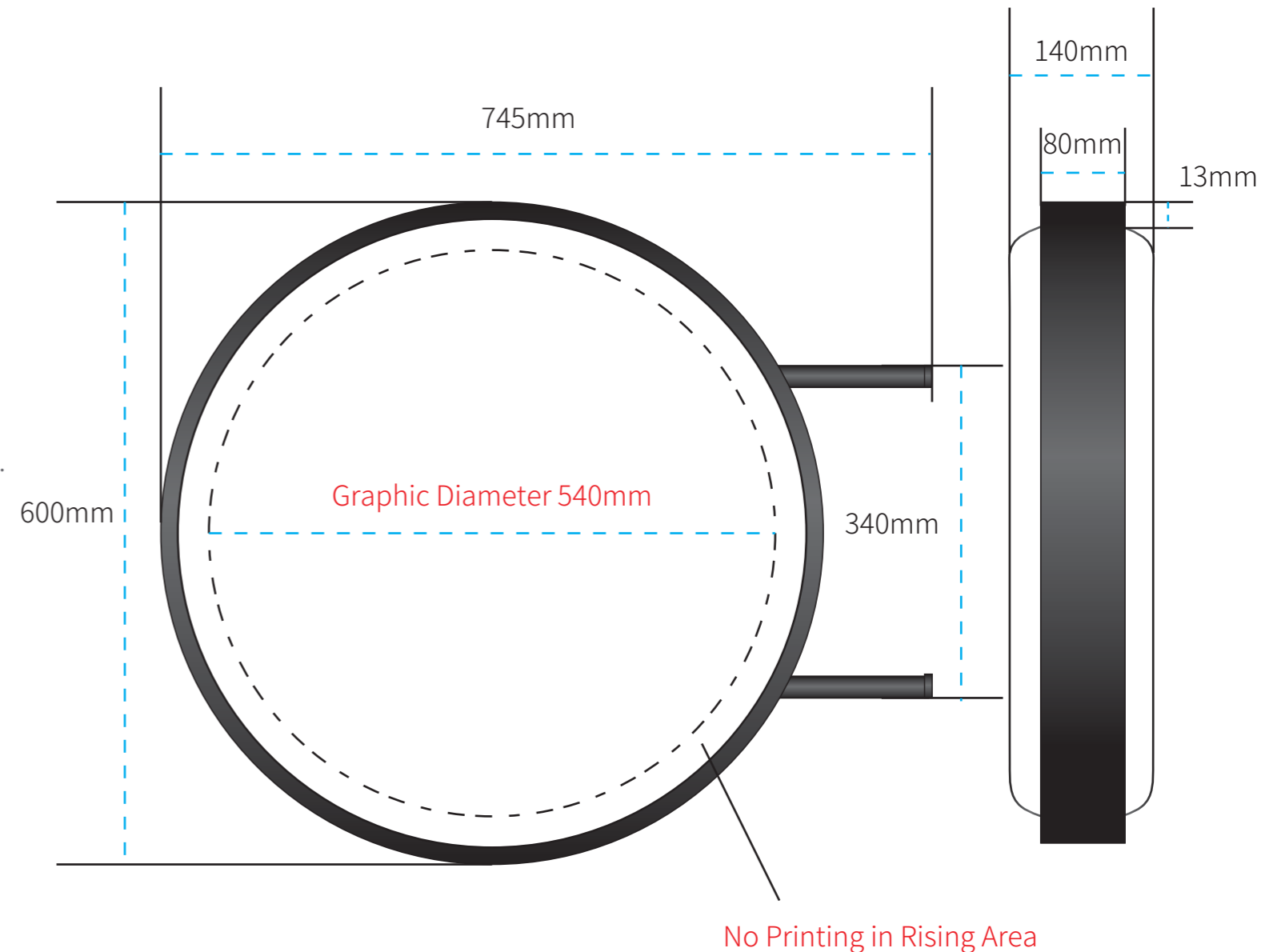
600mm Diameter

Print Ready Artwork Requirement:

- Artwork to be supplied as a PDF file.
- Artwork to be set up as CMYK or Pantone color mode.
- All the text must be outlined/ convert to path.
- All images and elements must be embed . No trim, crop or registration marks.
- Artwork to be supplied at 100% 50% 25% or 10%. The correct proportion is important.
- Photographic images should be supplied at 150dpi or better resolution.

Send Artwork:

- Email to artwork@bigbanner.com.au if size is less than 20MB.
- For large artwork, use free service of www.wetransfer.com/www.hightail.com,
- or any other website to upload file and send us the download link.
- (with clear reference of your order/invoice number)



Round Light Box – Vacuum Foamed Face

Artwork Specifications

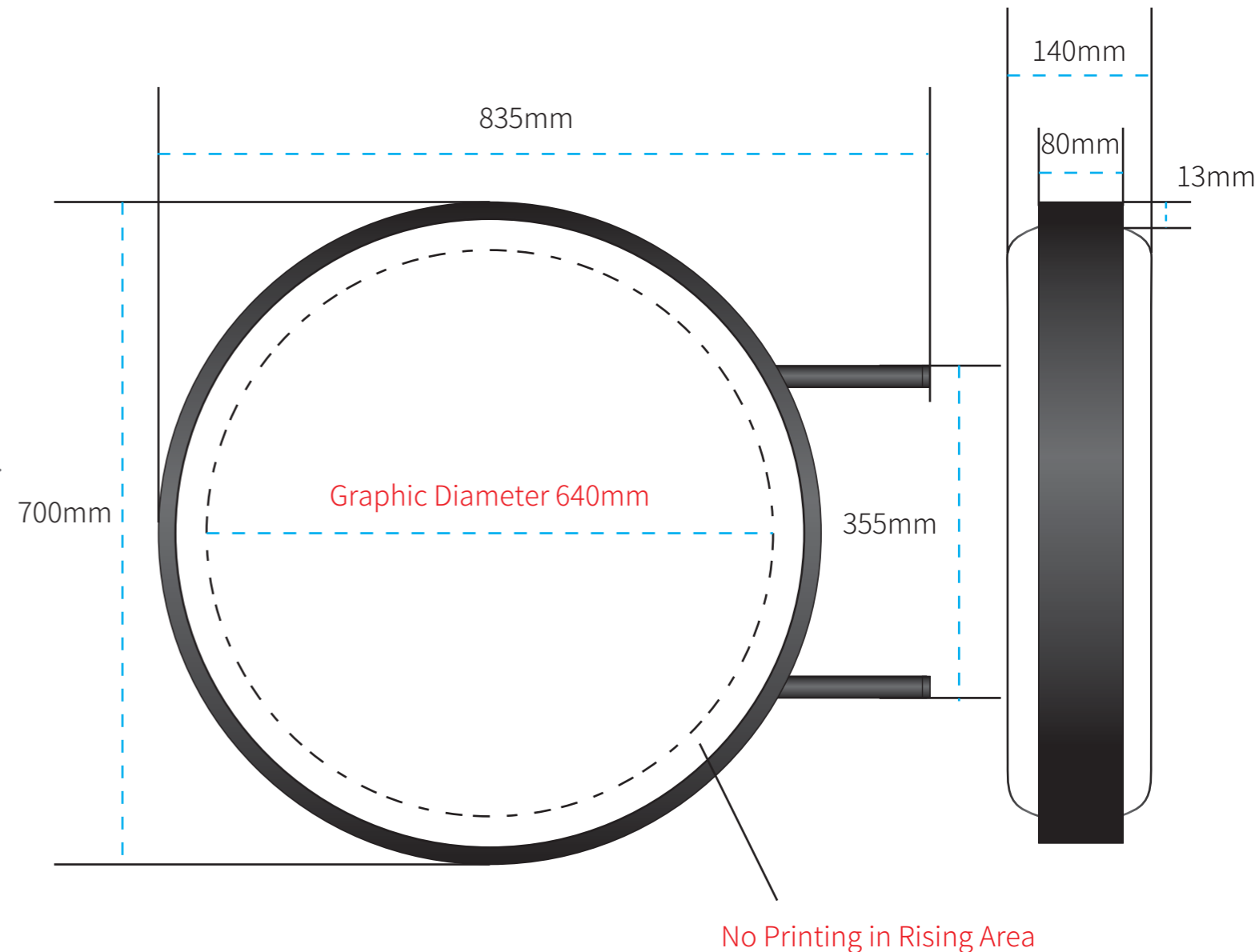
700mm Diameter

Print Ready Artwork Requirement:

- Artwork to be supplied as a PDF file.
- Artwork to be set up as CMYK or Pantone color mode.
- All the text must be outlined/ convert to path.
- All images and elements must be embed . No trim, crop or registration marks.
- Artwork to be supplied at 100% 50% 25% or 10%. The correct proportion is important.
- Photographic images should be supplied at 150dpi or better resolution.

Send Artwork:

- Email to artwork@bigbanner.com.au if size is less than 20MB.
- For large artwork, use free service of www.wetransfer.com/www.hightail.com,
- or any other website to upload file and send us the download link.
- (with clear reference of your order/invoice number)



Round Light Box – Vacuum Foamed Face

Artwork Specifications

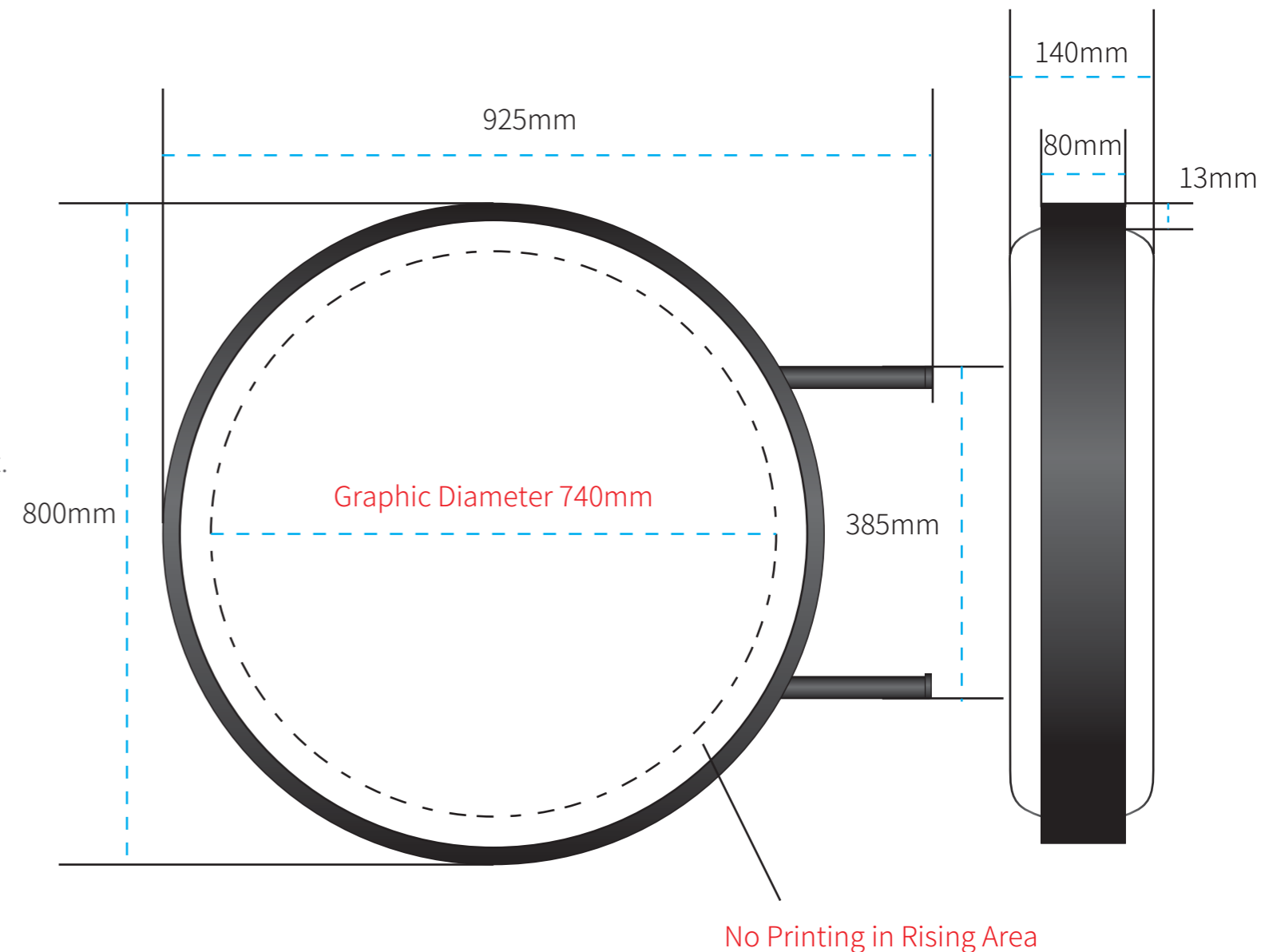
800mm Diameter

Print Ready Artwork Requirement:

- Artwork to be supplied as a PDF file.
- Artwork to be set up as CMYK or Pantone color mode.
- All the text must be outlined/ convert to path.
- All images and elements must be embed . No trim, crop or registration marks.
- Artwork to be supplied at 100% 50% 25% or 10%. The correct proportion is important.
- Photographic images should be supplied at 150dpi or better resolution.

Send Artwork:

- Email to artwork@bigbanner.com.au if size is less than 20MB.
- For large artwork, use free service of www.wetransfer.com/www.hightail.com,
- or any other website to upload file and send us the download link.
- (with clear reference of your order/invoice number)



Round Light Box – Vacuum Foamed Face

Artwork Specifications

1000mm Diameter

Print Ready Artwork Requirement:

- Artwork to be supplied as a PDF file.
- Artwork to be set up as CMYK or Pantone color mode.
- All the text must be outlined/ convert to path.
- All images and elements must be embed . No trim, crop or registration marks.
- Artwork to be supplied at 100% 50% 25% or 10%. The correct proportion is important.
- Photographic images should be supplied at 150dpi or better resolution.

Send Artwork:

- Email to artwork@bigbanner.com.au if size is less than 20MB.
- For large artwork, use free service of www.wetransfer.com/www.hightail.com,
- or any other website to upload file and send us the download link.
- (with clear reference of your order/invoice number)

