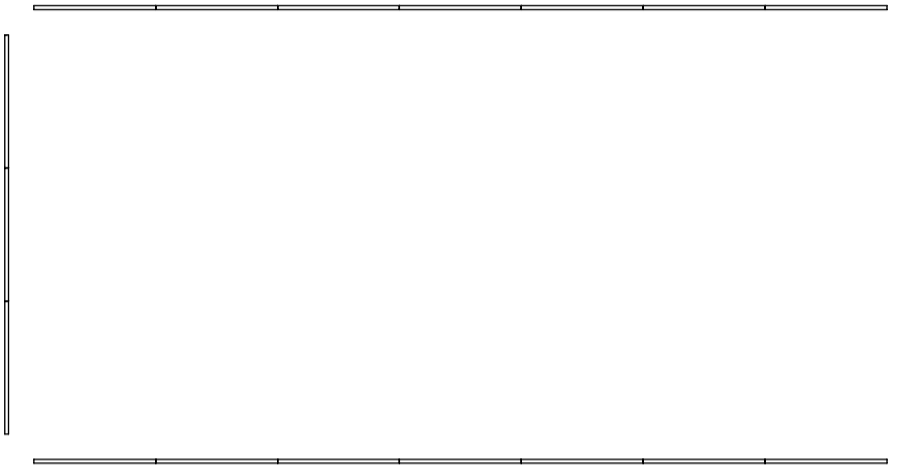


Fabric Wrapped Wall Box

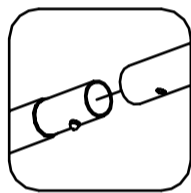
Installation Guide

Step 1:

Get 2 long pipes and 2 short pipes to make a rectangle. (2 sides)



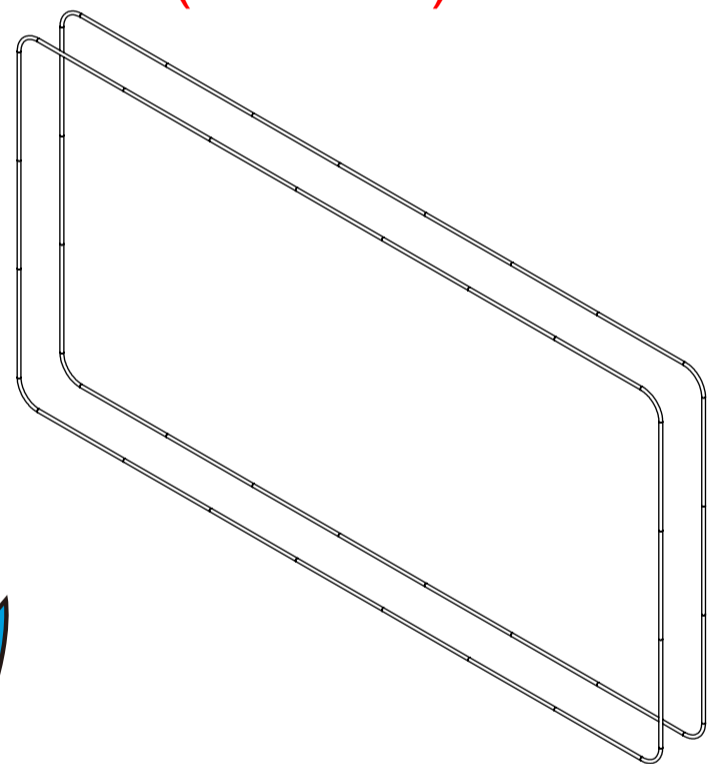
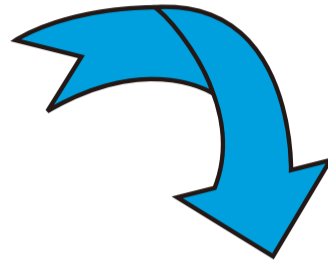
Push small pipe into larger side.



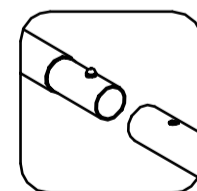
Step 2:

Connect 4 corners with pipe connect locker

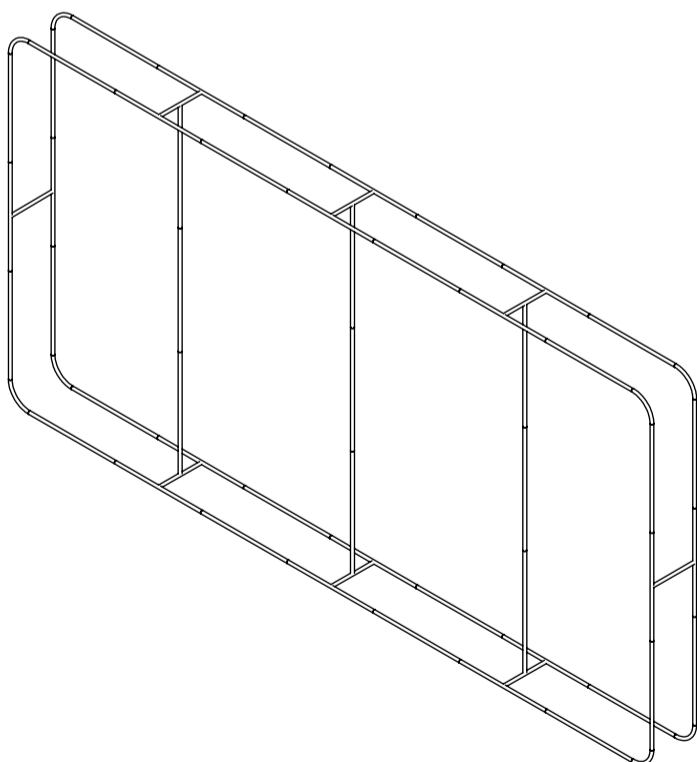
(2 sides)



The bars will lock when secure.



Step 3:



Connect support beams

