



SIGNHUB

3D SIGNAGE S O L U T I O N S

— 3D Signage Division of BIG BANNER AUSTRALIA

Get A Quick Quote! Get A Quick Run!

- Local & off-shore production lines
ensuring high capacity of delivering large volumes
- Fully comply with Australian Signage Standards
- Experienced staffs running QC on all individual items with NO skip
- Professional Installers solving all your headaches on-site

About Us:

Sign Hub is a Signage Division owned by BIG BANNER AUSTRALIA which focuses on providing the best products and services to sign professionals worldwide!

Sign Hub specialise in making all kinds of 3D signage products including Stainless Steel Fabricated Letters, Acrylic Letters, LED Channel Letters, Neon Style Signs, Directional & Identification Display System, Pylon Sign, Blade Sign / Light Box, Over the years, we became one of the Leading Sign Distributors in Australia.

Big Banner grouped with Yi Ge Advertising (CHINA) from 2015 which increases our capacity to provide effective and efficient solutions for our valuable customers not only in the Asian Pacific Area, but also Global Wide.

Our target is to provide competitive and professional signage solutions for your business at the quickest turn around with achievement of 100% satisfaction.

Please prepare the below information when you need a quote:



Draft of design with size marked if not available, provide contents (letters, logo, font, size of space where the sign will be installed).



Interior or Exterior?



Illuminate or Non-illuminate ?



Deadline if there is one.



Installation request?

- (1) Where
- (2) Current condition for installation point
- (3) Distance from ground

With the above information, a quote/ proposal will be provided within 12 working hours.



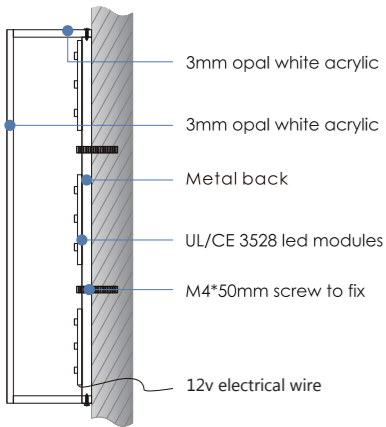
1300 550 168
sales@bigbanner.com.au
SUNSHINE WEST, 3020



+86 1831 888 48 28
yigesignage@hotmail.com
GUANGZHOU, CHINA

Acrylic Fabricated LED Channel Letters

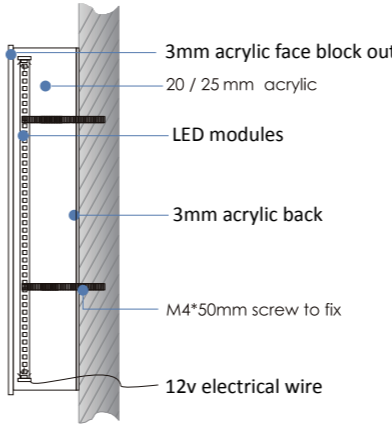
3D-027



Face & Body: 3mm solid Acrylic
Finish: two / three faces glue sealed
Back: enclosed with 3mm acrylic or metal panel.
Illumination: LED modules 3,000k ~ 10,000k
 (Brightness adjustable available at extra cost)
Installation: Installation emplate included, Methods of screw fixing, adhesive, etc
Power Supply: 12v-240v Meanwell transformer
Colour / Size / Shape: Customised

Back Illuminated Acrylic Letters

3D-026

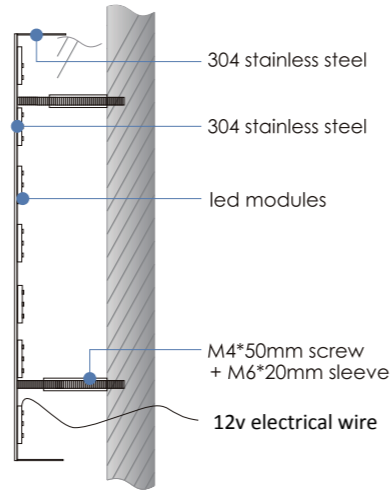


Face: 3mm solid acrylic with block out colour (2 pac paint/UV)
 (option: metal surface with various finishing)
Body: 3mm acrylic fabrication
 (option: 25mm solid acrylic engraved)
Finish: two / three faces glue sealed
Back: enclosed with 3mm acrylic
Illumination: LED modules 10,000k
 (Brightness adjustable available at extra cost)
Installation: Draft included, Methods of screw fixing, adhesive, etc
Power Supply: 12v-240v Meanwell transformer
Colour / Size / Shape: Customised



Stainless Steel Fabricated Sign With LED Illumination (Open Back)

3D-1002



Face & Body: 1mm 304 grade stainless steel fabricated
(Option: 1mm/2mm/3mm/316 Marine Grade)

Finish: Plain silver, polished / brushed, electrical plated, powder coated, aged/rusty, UV printed, etc.

Back: Open Option of closed back with 3 - 15mm Acrylic

Illumination: LED modules 3,000k~10,000k
(Brightness adjustable available at extra cost)

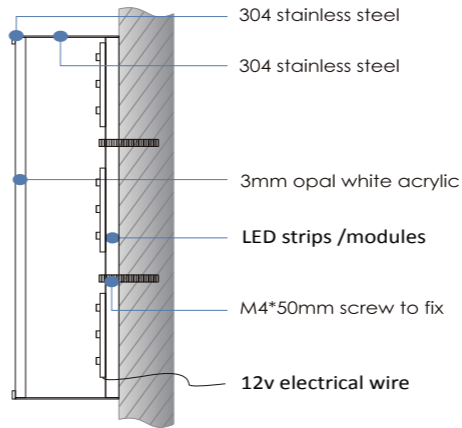
Installation: Draft included, Stand off bolts / screws

Power Supply: 12v-240v Meanwell transformer

Colour / Size / Shape: Customised

Face Illuminate Channel Letter (SS Fabrication)

3D-005



Face: 3mm Acrylic/ 4.5mm Acrylic
Body: 1mm 304 grade stainless steel fabricated
(Option: 316 Marine Grade/ Aluminium)
Finish: Plain silver, polished / brushed, electrical plated powder coating, digital printing, etc
Back: Metal base
Illumination: LED modules 3,000K ~10,000K
Installation: Draft included, Flush mounting/ Stand off
Power Supply: 12v-240v Meanwell transformer
Colour / Size / Shape: Customised



Flat-Cut Letters (Route & Laser) Flush Mounting

SS-S1



Suitable Uses: Reception sign/Corporate identity
Company logos/Exterior building ID

Materials & Finishes:

- Stainless Steel - polished, powercoated, Electrical plated
- Brass - Polished, Oxidised
- Copper - Polished, Brushed, Aged / Antique
- Titanium - Bronze, Gold, Black, Blue, Polished, Linished
- Digital UV Printed

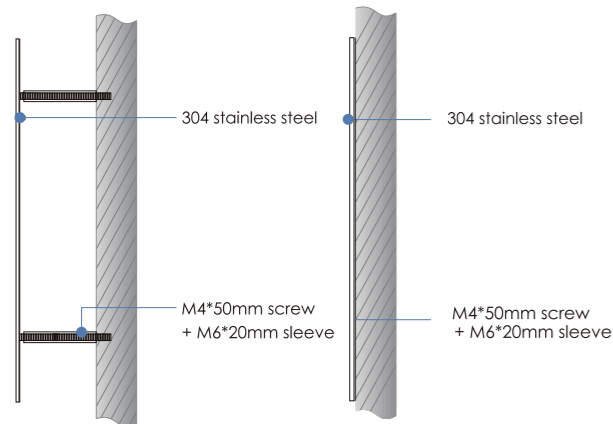
(A clear coat is available for all finishes if requested)

Face & Body: 1mm 2mm 3mm ..6mm,etc
Aluminium, Iron, Brass, Copper, Stainless Steel,etc
304 /316 grade stainless steel

Illumination: N / A

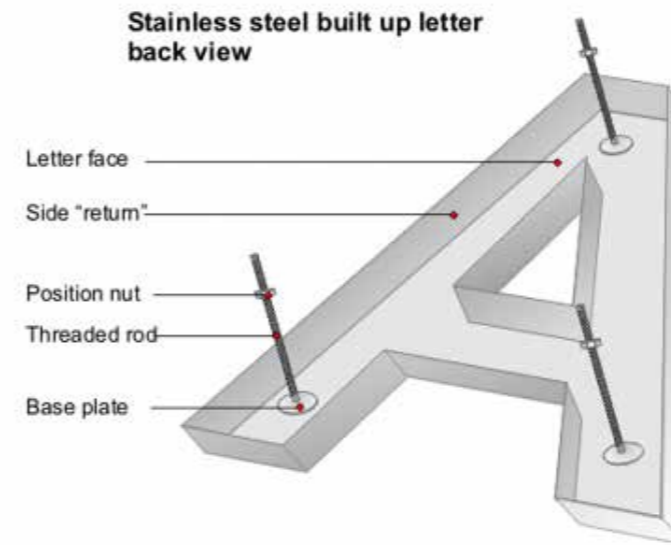
Installation: Draft included, Stand off / Flush mount

Colour/ Size / Shape: Customised



Flat-Cut Letters (Route & Laser) Stand-off Mounting

Stand - off Installation



Multi-layer Routed Letters

3D-098

Face & Body: 3mm ~ 25mm acrylic routed/ lazer cut

Finish: UV print/ 2 Pac paint/ Plain colour

Illumination: N/A

Installation: Draft included, Stand off bolts/screws,
or Flush mounting

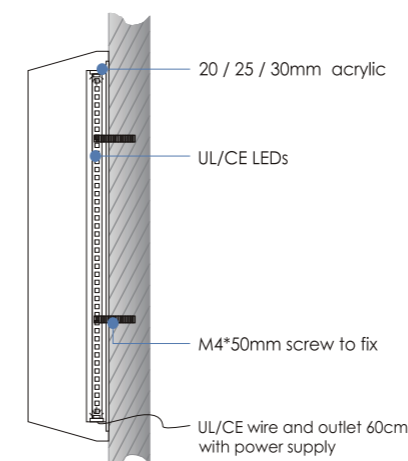
Power Supply: N/A

Colour / Size / Shape: Customised



Engraved Acrylic Sign with LED Illumination

Mini-letter



Face & Body: 25mm solid acrylic engraved for LED module filling

Finish: face + rear side illumination, side block out (colour painted TBC)

Back: 3mm acrylic backing with illumination

Illumination: LED modules 10,000k (Brightness adjustable available at extra cost)

Installation: Draft included, Stand off bolts/screws, or Flush mounting

Power Supply: 12v-240v Meanwell transformer.

Colour / Size / Shape: Customised

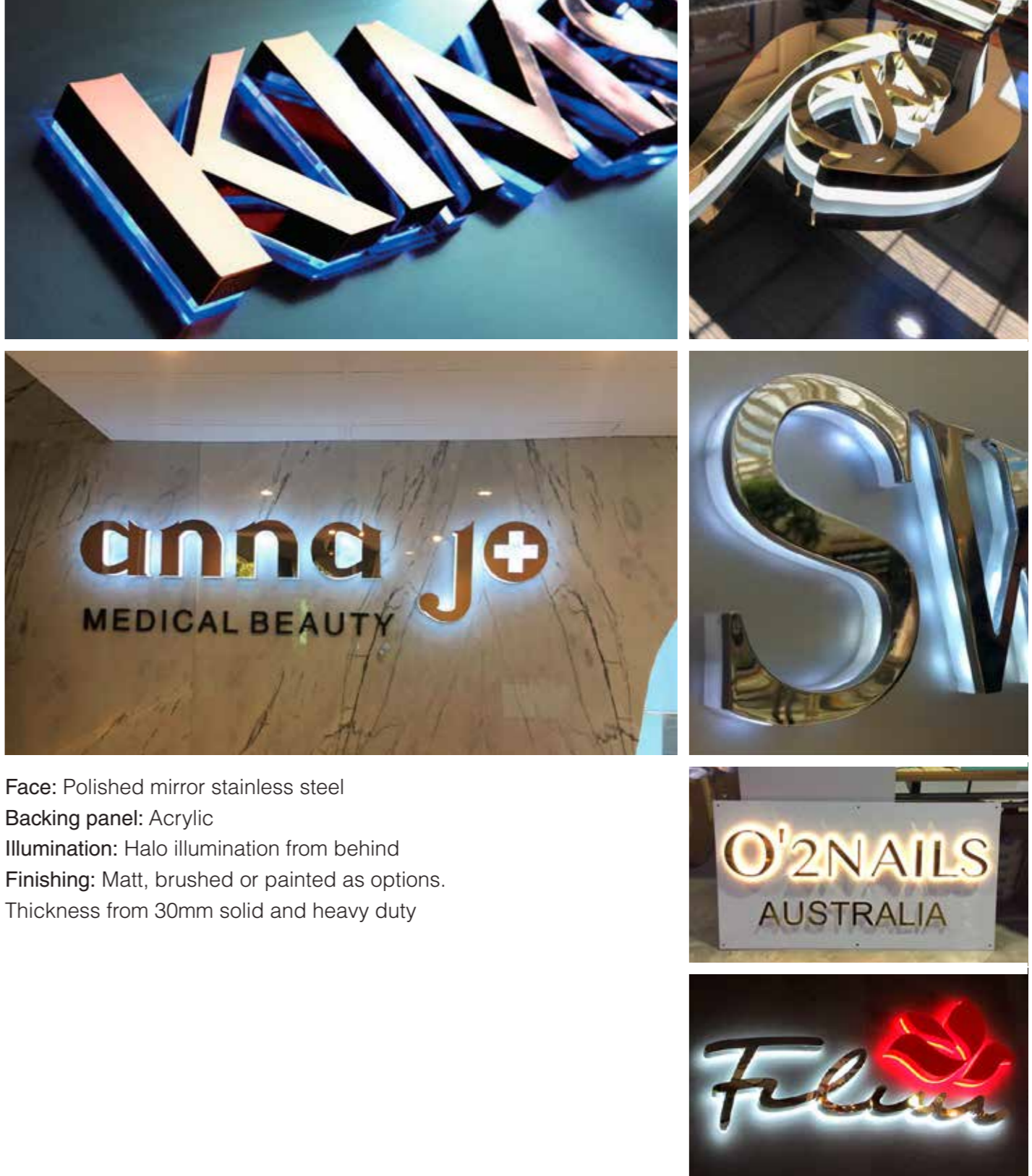
Face Lit LED Signs

3D-007



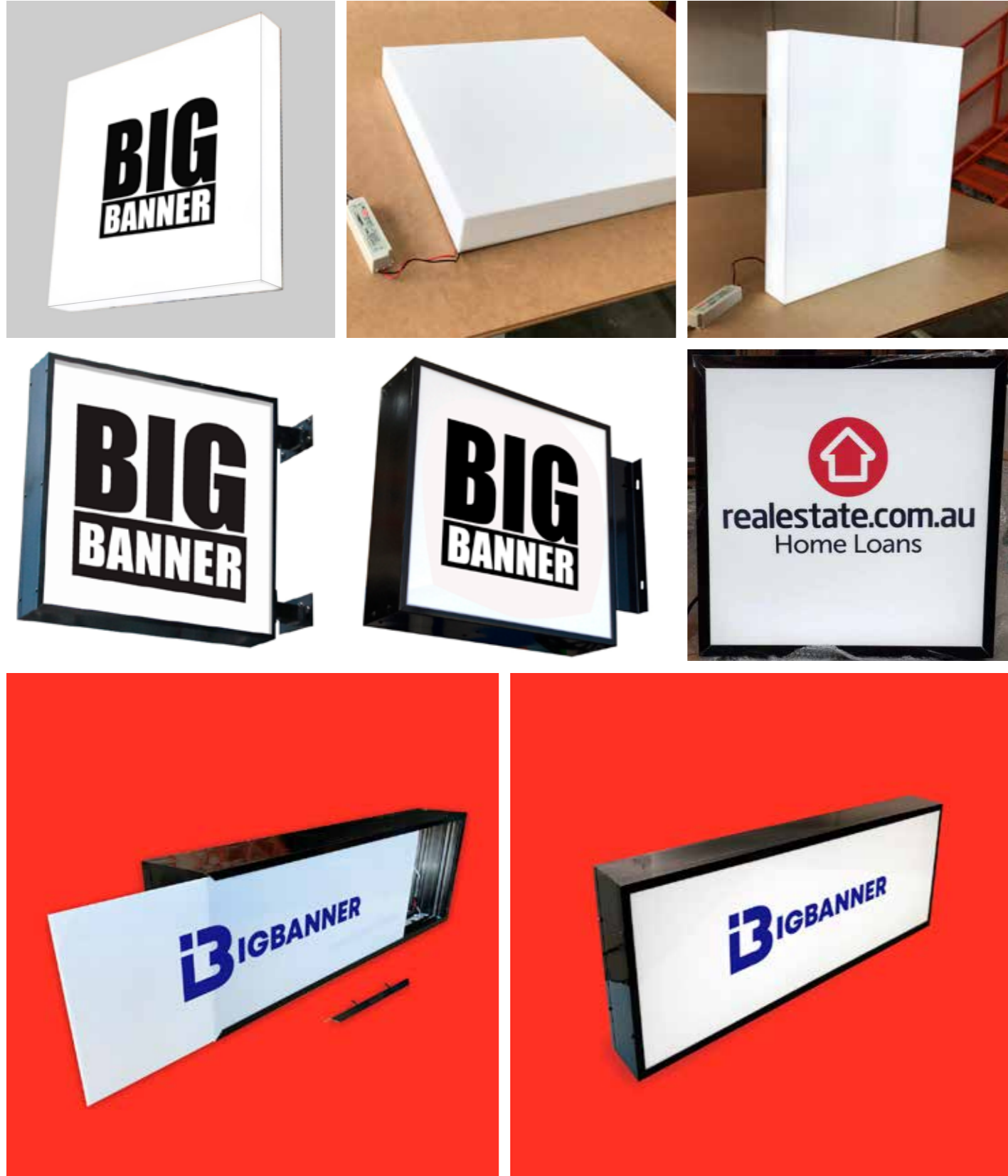
Halo-Lit Letters

3D-006



Face: Polished mirror stainless steel
 Backing panel: Acrylic
 Illumination: Halo illumination from behind
 Finishing: Matt, brushed or painted as options.
 Thickness from 30mm solid and heavy duty

Light Boxes



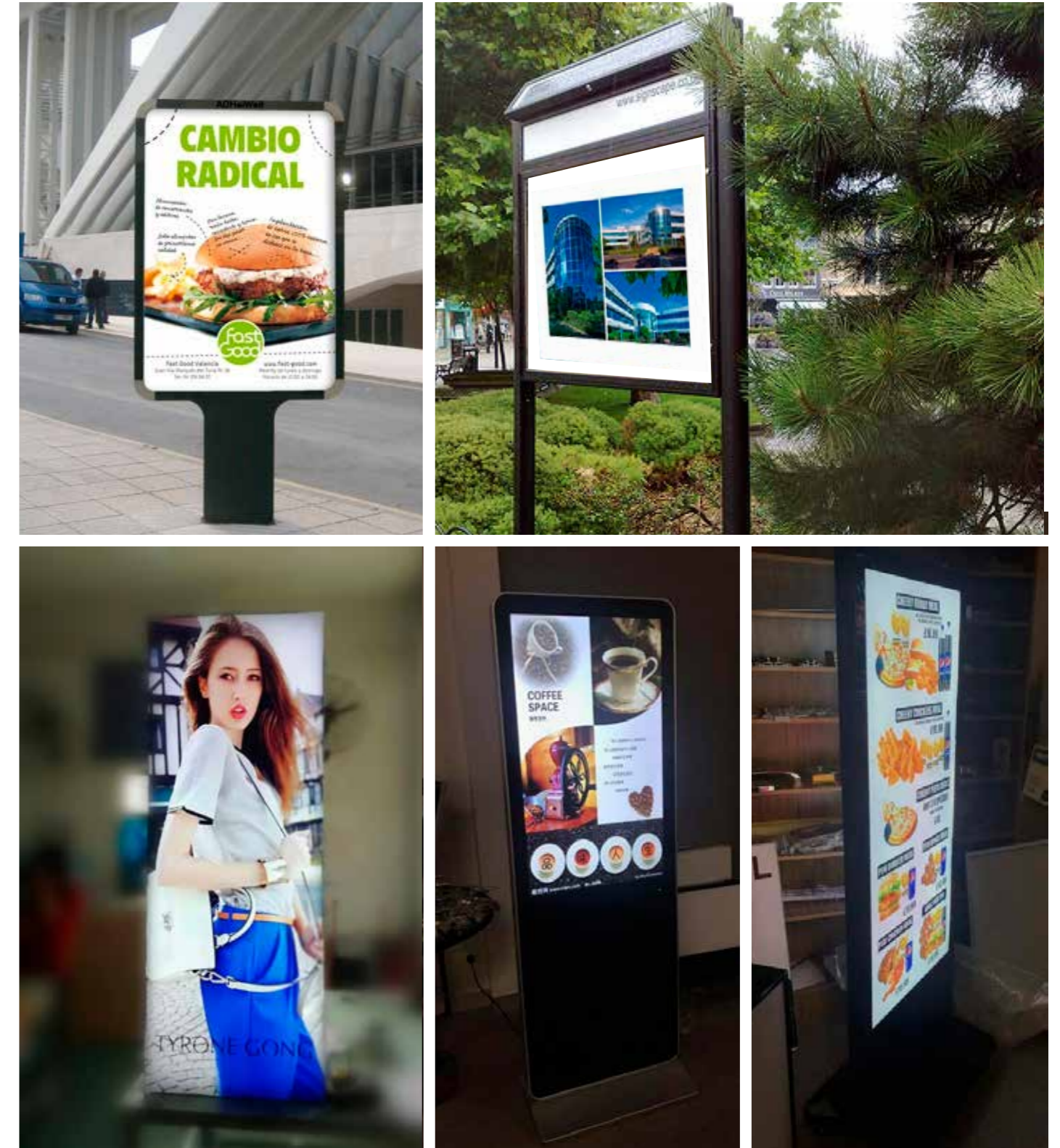
Light Boxes



Fabric Light Boxes

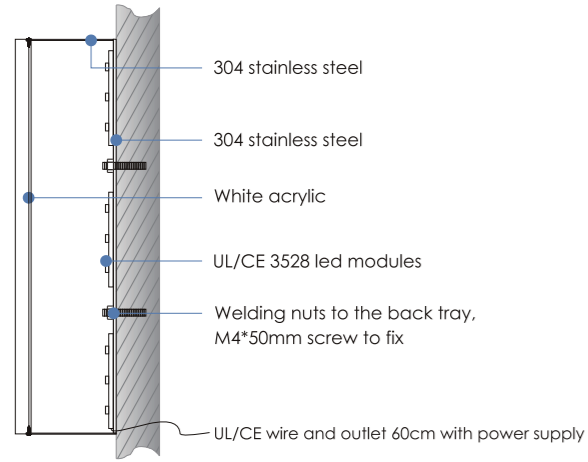


Custom Light Boxes Outdoor/Indoor



LED Rimless Resin Letters

3D-007



- Stainless steel casing with filled resin. Digital UV print facing or plain colour.
- Clean and extremely bright illumination. Thickness from 30mm minimum.
- Frameless with bright colour and neat edging.
- Ideal for shopping centre signages, reception signages, and retail shop front.

Face: 8mm-10mm Liquid Acrylic / Resin

Body: 1mm 304 grade stainless steel fabricated
(Option: 316 Marine Grade)

Finish: Plain silver, polished/ brushed, electrical plated powder coating, digital printing, etc

Back: Metal base

Illumination: LED modules

Installation: Draft included, Flush Mounting/ Stand Off

Power Supply: 12v/220v Meanwell transformer

Colour / Size / Shape: Customised



Sample Project (Resin Letters)

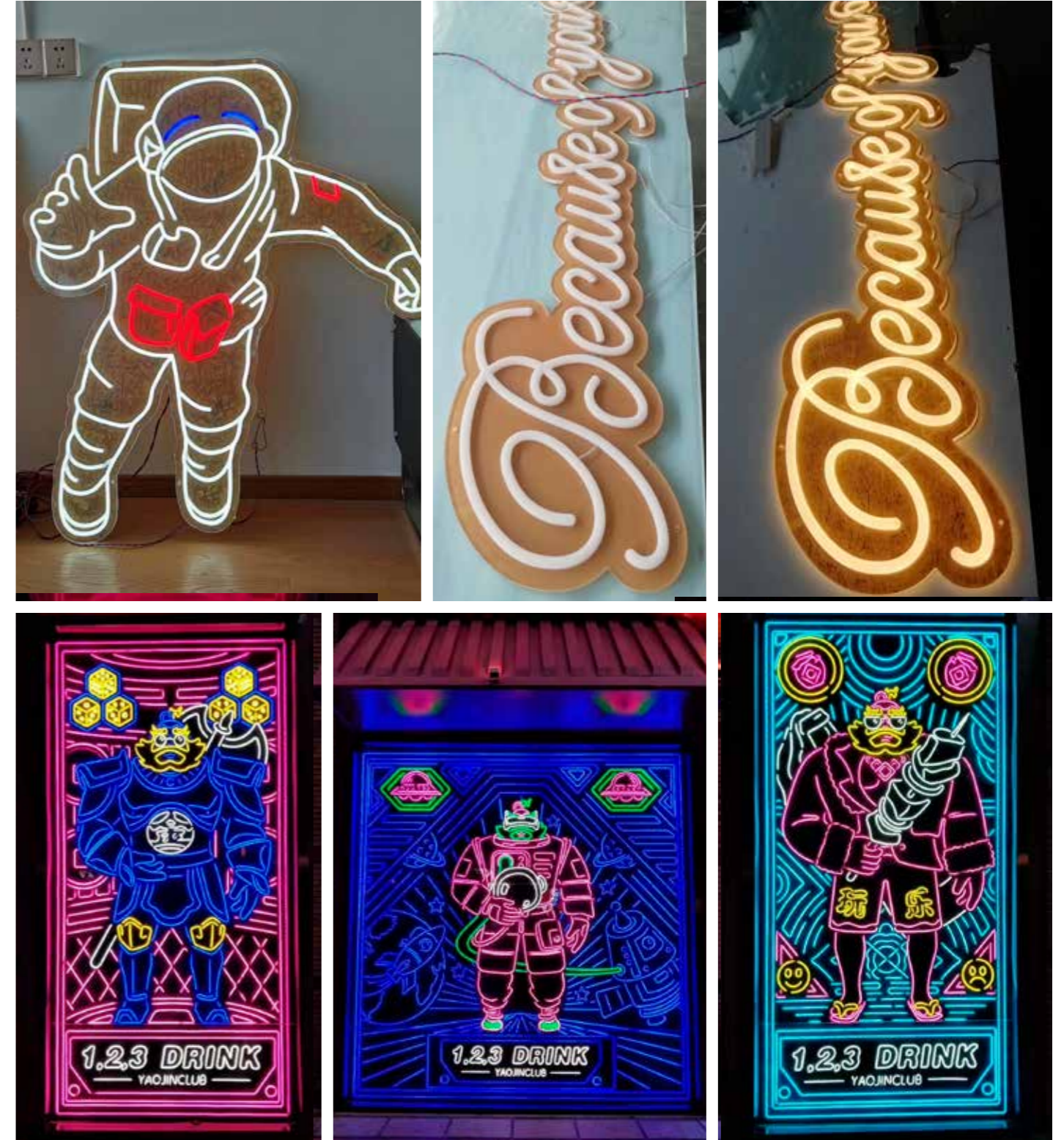


LED Flex Neon Signs

Neon-02



Sample Gallery (LED Flex Neon Signs)



tube supports

Traditional style of signage for commercial entities
Great choice for private play room, bar, pub, cafe, retails, and other businesses.
Suitable for indoor & outdoor

Material: PVC/ Rubber Tube

Option: made by Neon-like Soft LED Stripes

Neon-Glass Style Available

Diameter: 6mm / 8mm / 10mm

Installation: to be supplied with acrylic panel, metal panel, metal frame, or supply with tube supports / holders for glass neon sign

Power Supply: 12v/ 24V-240v Meanwell transformer.

Colour/ Size / Shape: Customised

Vintage Glass Neon Signs

Neon-01



Option: Made in Neon-like Soft LED Stripes / Traditional glass neon tube
Traditional style of signage for commercial entities
Great choice for private play room, bar, pub, cafe, retails, and other businesses
Suitable for indoor & outdoor
Ideal for shopping centre signages, reception signages, and retail shop front.

Material: Glass Tube / Acrylic Soft Neon
Colour: As Per Demand
Diameter: 8mm / 10mm tube
Power: Input 220-240V
Back panel: Acrylic / Metal / PVC panels /
Metal frames and more...

Curved Acrylic Neon (Engraved)



Blade Sign With 3D Letter Surface

LB-01



LED Marquee Style Signs

3D-97



Stainless Steel Channel Letters

304 commercial grade or 316 Marine grade stainless steel

3D-001



Popular Finishes



LINISHED BRASS



POLISHED BRASS



LINISHED OXIDISED BRASS



PATINA COPPER



POLISHED COPPER



LINISHED COPPER



LINISHED GOLD TITANIUM



LINISHED BRONZED TITANIUM



POLISHED GOLD TITANIUM



POLISHED STAINLESS STEEL



LINISHED STAINLESS STEEL



PAINTED STAINLESS STEEL

SUITABLE USES

- Reception sign
- Corporate identity
- Company logos
- Exterior building ID

MATERIALS & FINISHES

- Stainless Steel - polished, powercoated, Electrical plated
- Brass - Polished, Oxidised
- Copper - Polished, Brushed, Aged / Antique
- Titanium - Bronze, Gold, Black, Blue, Polished, Linished
- Digital UV Printed

A clear coat is available for all finishes if requested

Street Name Plaque/ Gate Number Plate

3D-96



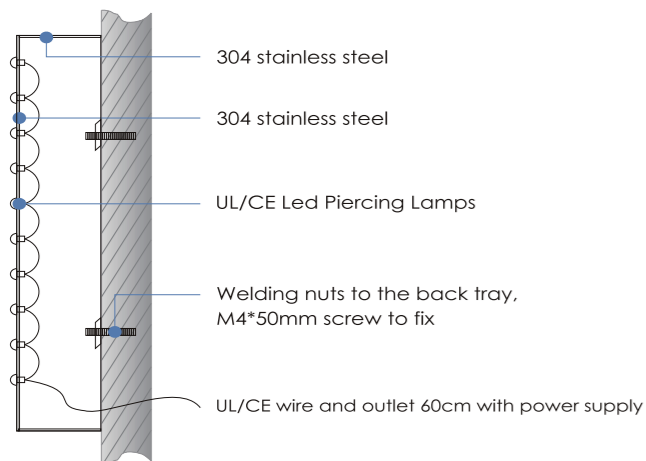
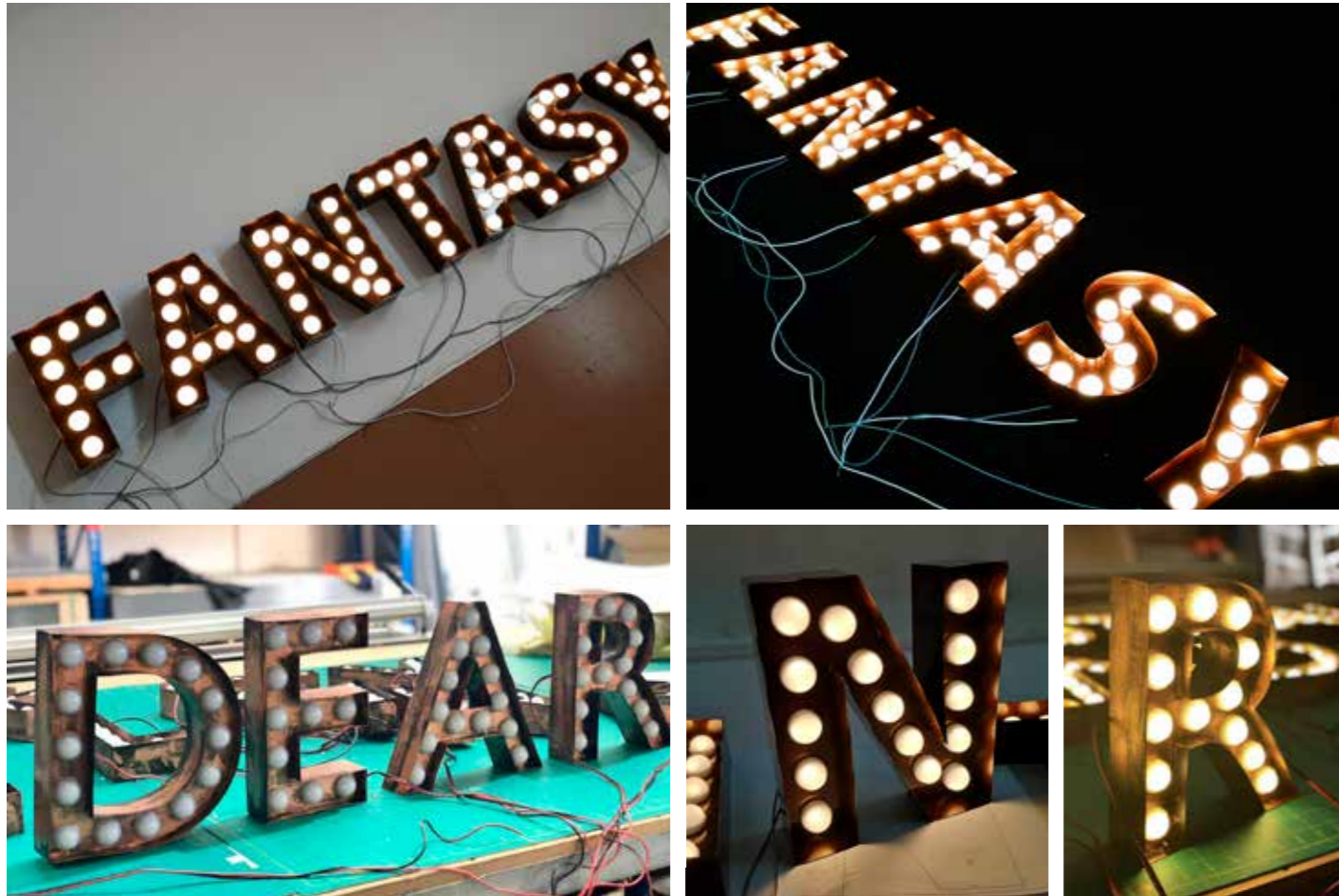
Material: Aluminium Panel, Acrylic, Stainless Steel
 Style: Customized
 Size: 150 x 300mm, 200 x 400mm, etc.
 Finish: engraved, UV printed, raised etc.
 powder coat, crystal base
 Illumination: LED 3,000K ~ 10,000K/ Coloured
 Installation: Flush Mount / Stand Off

Sample Gallery (Street Name Plate/ Gate Number Plate)



LED Bulbs Marquee Letters

3D-95



Material: 1.0mm 304 stainless steel fabrication
(option for 316 stainless steel)

Finish: Plain silver, polished / brushed, electrical plated, powder coated, aged/rusty, UV printed, etc.

Back: Open Option of closed back with 3 - 15mm Acrylic

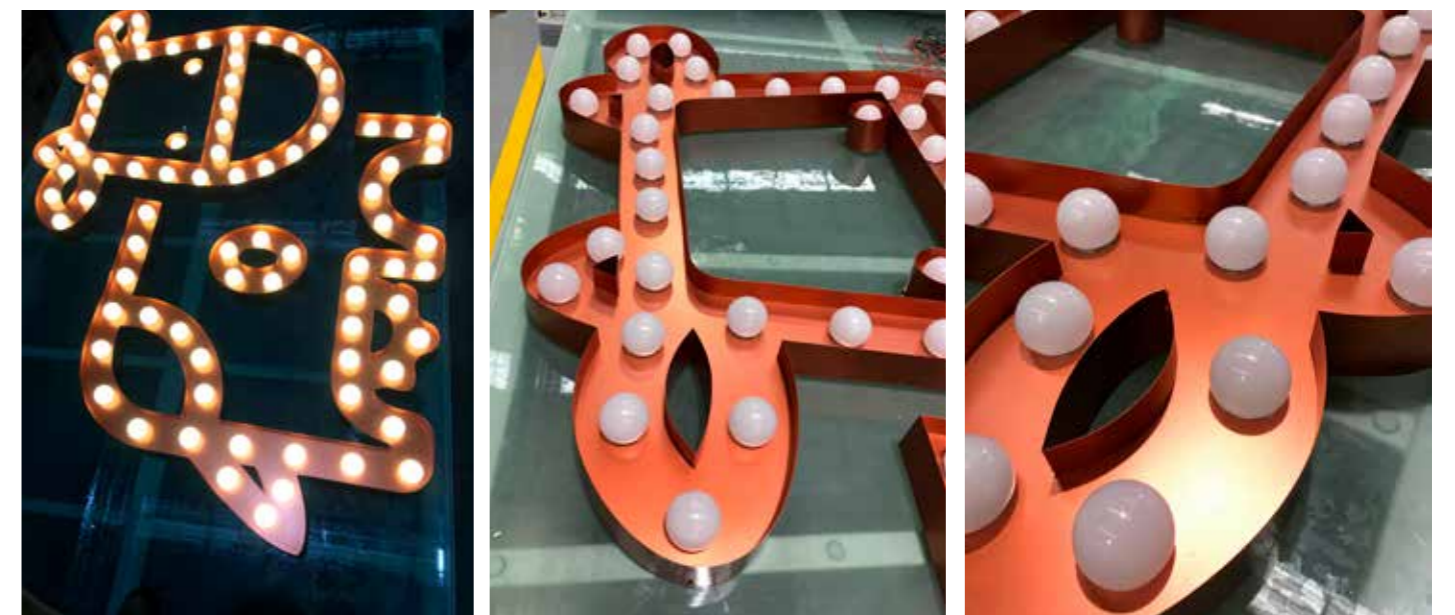
Illumination: LED modules 3,000k~ 10,000k
(Brightness adjustable available at extra cost)

Installation: Draft included, Stand off bolts / screws

Power Supply: 12v-240v Meanwell transformer

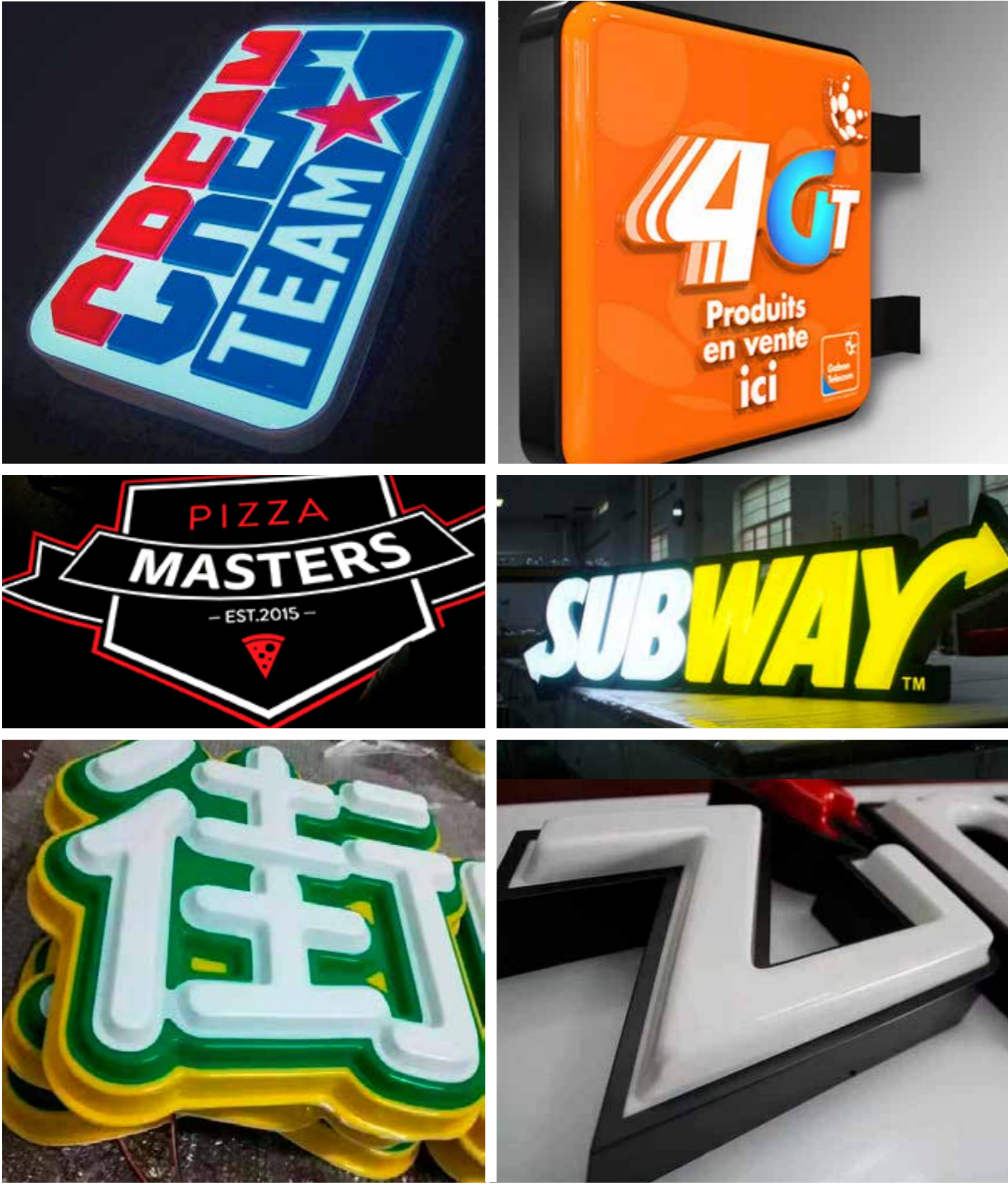
Colour / Size / Shape: Customised

Sample Gallery (LED Bulbs Lighting Sign)



LED Vacuum Formed Sign

LB-02



Case Study (Tico's Cafe)



Window Graphic Solution



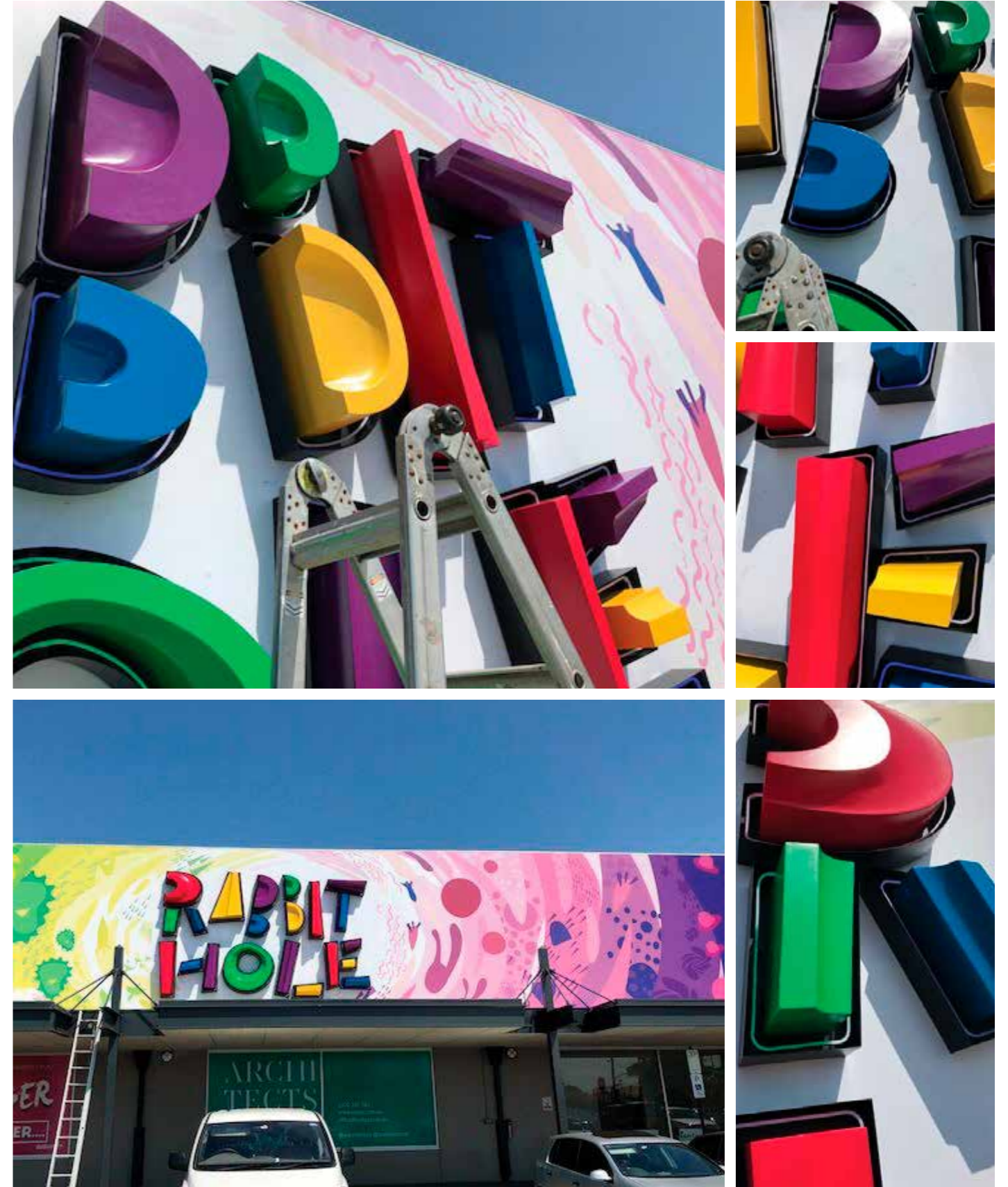
Case Study (Window Solutions)



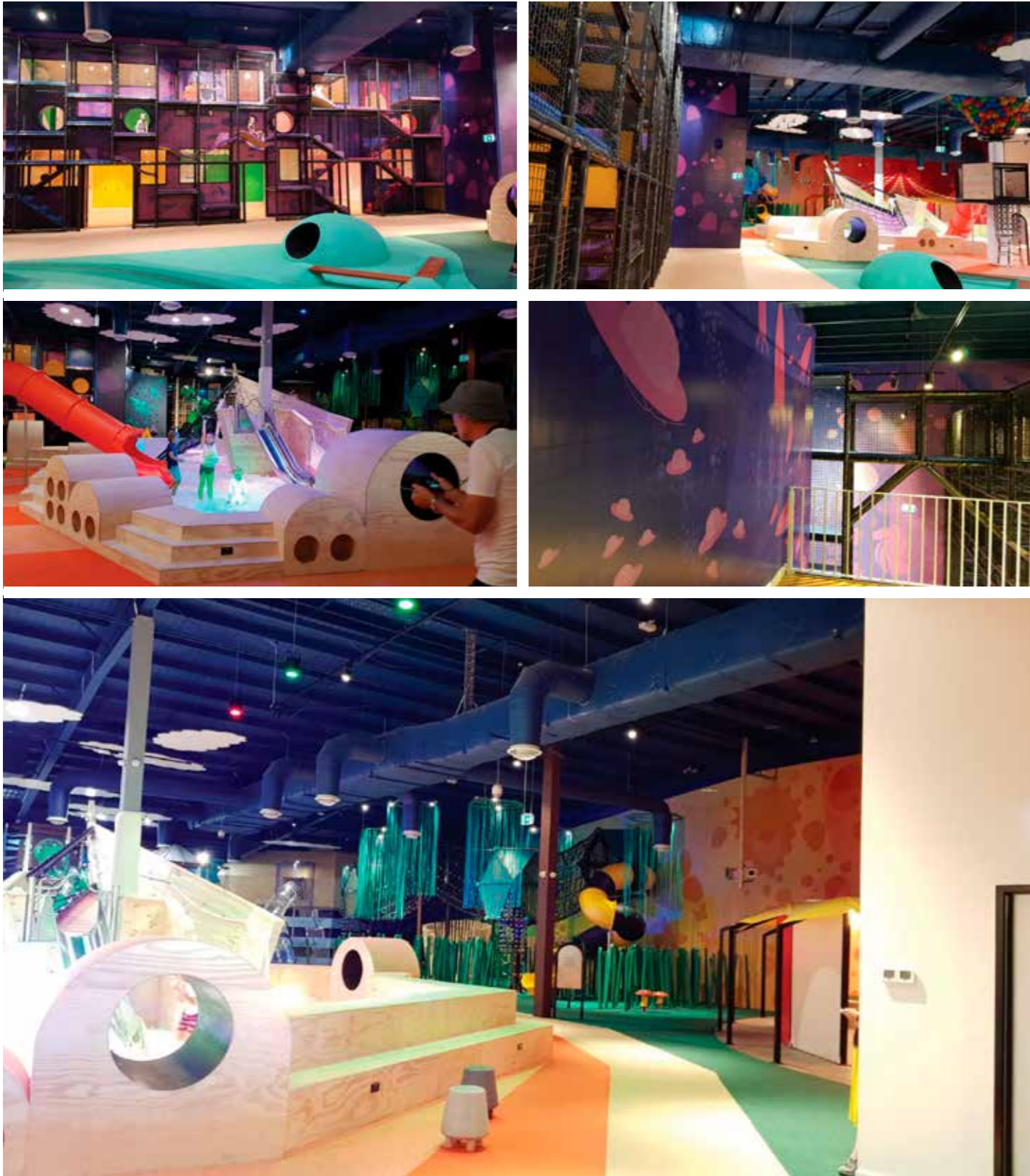
Total Interior Image Solutions (Display Home Cases)



Fiber Glass 3D Modeling (Rabbit Hole Indoor Play Center)



Business Renovation



Case Gallery One



Case Gallery Two



Case Gallery Three



Case Gallery Four



Case Gallery Five







1300 550 168
sales@bigbanner.com.au
SUNSHINE WEST, 3020



+86 1831 888 48 28
yigesignage@hotmail.com
GUANGZHOU, CHINA



SIGNHUB